



ROCKGRAND GROUP:

WENZHOU ROCKGRAND TRADE CO.,LTD
WENZHOU DAGUAN ELECTRICS CO.,LTD (Factory)
ADD:NO.A1501 XINYI BUILDING SHIFU ROAD WENZHOU CHINA
ADD:ZHEJIANG YONGJIA WUNIU DONGMENG INDUSTRY AREA
Tel:86-577-88670088,88393757,88397206
Fax:86-577-88398508
E-mail:rockgrand@rockgrand.com





Ceiling Ventilation Fan



Ceiling Ventilation Fan STYL1

Type	Capacity (m ³ /h)	Air Pressure (Pa)	Power (W)	Protection (IP)
STYL1 Φ 100	100	34	15	4X
STYL1 Φ 120	150	49	20	4X
STYL1 Φ 150	280	68	25	4X
STYL1 Φ 200	400	60	35	2X
	280	40	23	2X

Voltage: 127/230V AC
 Frequency: 50Hz
 Color: White/ Ivory/Chrome/ Golden/ Silver/Customized



Ceiling Ventilation Fan STYL2

Description: With Shutter

Type	Capacity (m ³ /h)	Air Pressure (Pa)	Power (W)	Protection (IP)
STYL2 Φ 100	100	34	15	4X
STYL2 Φ 120	150	49	20	4X
STYL2 Φ 150	280	68	25	4X
STYL2 Φ 200	400	60	35	2X
	280	40	23	2X

Voltage: 127/230V AC
 Frequency: 50Hz



Ceiling Ventilation Fan STYL3

Description: With PIR Sensor

Type	Capacity (m ³ /h)	Air Pressure (Pa)	Power (W)	Protection (IP)
STYL3 Φ 100	100	34	15	4X
STYL3 Φ 120	150	49	20	4X
STYL3 Φ 150	280	68	25	4X
STYL3 Φ 200	400	60	35	2X
	280	40	23	2X

Voltage: 127/230V AC
 Frequency: 50Hz



Ceiling Ventilation Fan STYL4

Description: With Pull Switch

Type	Capacity (m ³ /h)	Air Pressure (Pa)	Power (W)	Protection (IP)
STYL4 Φ 100	100	34	15	4X
STYL4 Φ 120	150	49	20	4X
STYL4 Φ 150	280	68	25	4X

Voltage: 127/230V AC
Frequency: 50Hz



Ceiling Ventilation Fan STYL5

Description: With Time Delay Switch

Type	Capacity (m ³ /h)	Air Pressure (Pa)	Power (W)	Protection (IP)
STYL5 Φ 100	100	34	15	4X
STYL5 Φ 120	150	49	20	4X
STYL5 Φ 150	280	68	25	4X

Voltage: 127/230V AC
Frequency: 50Hz



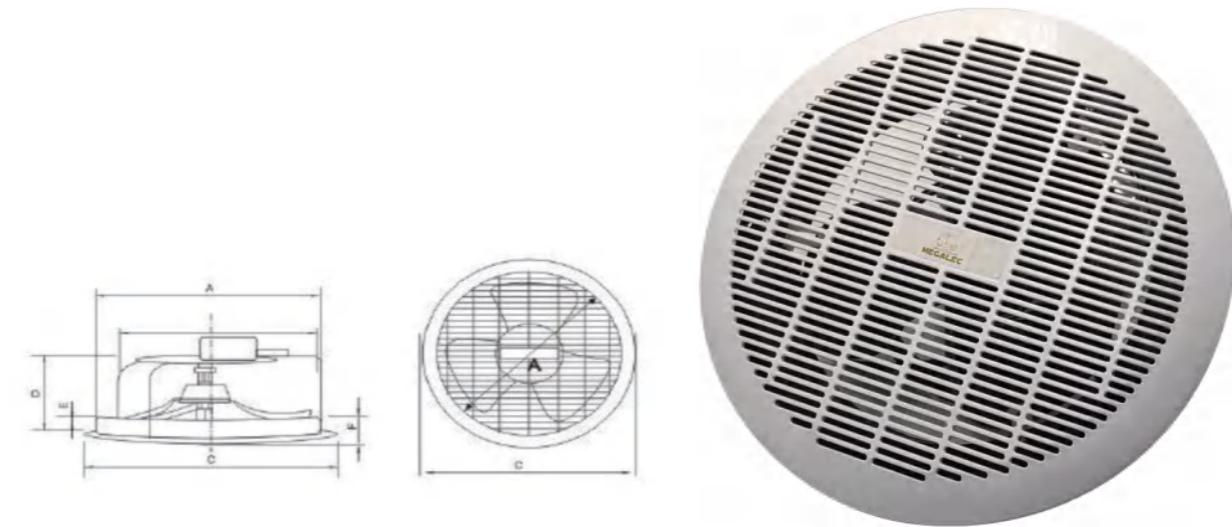
Ceiling Ventilation Fan STYL6

Description: With Cover

Type	Capacity (m ³ /h)	Air Pressure (Pa)	Power (W)	Protection (IP)
STYL6 Φ 100	100	34	15	4X
STYL6 Φ 120	150	49	20	4X
STYL6 Φ 150	280	68	25	4X

Voltage: 127/230V AC
Frequency: 50Hz

Ceiling Ventilation Fan Round Type



Description

REF200 CEILING VENTILATION FAN 200mm

REF250 CEILING VENTILATION FAN 250mm

Parts and installing dimensions

Model	A	B	C	D	E	F
REF200	255	165	305	80	26	46
REF250	297	165	345	80	26	46

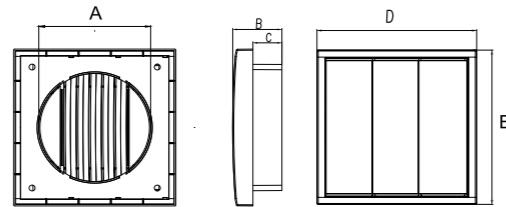
Technical Parameter

Model	REF200	REF250
Rating Voltage (V)	220V~	220V~
Frequency(Hz)	50Hz	50Hz
Power	25W	38W
Air Delivery	600(m ³ /h)	720(m ³ /h)
Noise	49 dB	55 dB
Dimension (cm)	78.8x32.5x32.7	78.7x37.5x37.4
Carton QTY	6 pcs	6 pcs
TotalWeight(kg)	10.8	13.5



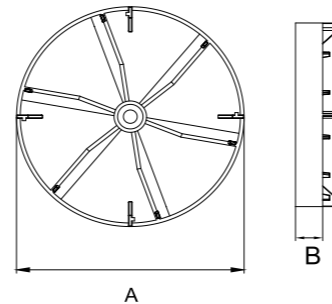
BREATHABLE SHUTTER

Type	A	B	C	D	E
φ 100—120mm (with knock hole)	98/118	42	25	140	140
φ 150mm	146	42	33	176	176



Check Valve

Type	A	B
φ 100 mm	98	14
φ 120mm	118	14
φ 150 mm	146	14



Ventilation Fan Fixing Ring

Type	A
φ100mm	98
φ120mm	118



Filter

Type	A	B	C	D
F01	106x106	10	91.5	81
F02	116x116	10	100.5	91
F03	148x148	11	131	120.6
F04	150x150	13.5	131	121
F05	205x205	13.5	184	175
F06	255x255	13.5	234.6	222
F07	320x320	13.5	303x300	121
F08	420x180	13.5	402x162	391x151

Features

- 45° ULTRA-THIN DESIGN, RAIN PROOF
- DUST REMOVAL EFFICIENCY CAN REACH 89%
- ABS MATERIAL, WEATHERPROOF IP54
- WORKING TEMPERATURE : -10°C ~ +60°C
- REGULAR CLEANING TO MAINTAIN VENTILATION AND FILTRATION EFFECT
- MAXIMUM WIND SPEED: 2.0M/SEC
- EFFECTIVE WIND SPEED: 50M³/MIN

