



# Surge Protective Device








**温州大觀電氣有限公司**  
 WENZHOU DAGUAN ELECTRICS CO.,LTD.



**ISO9001:2000**  
**ISO14000:2004**  
**ISO18000:2001**

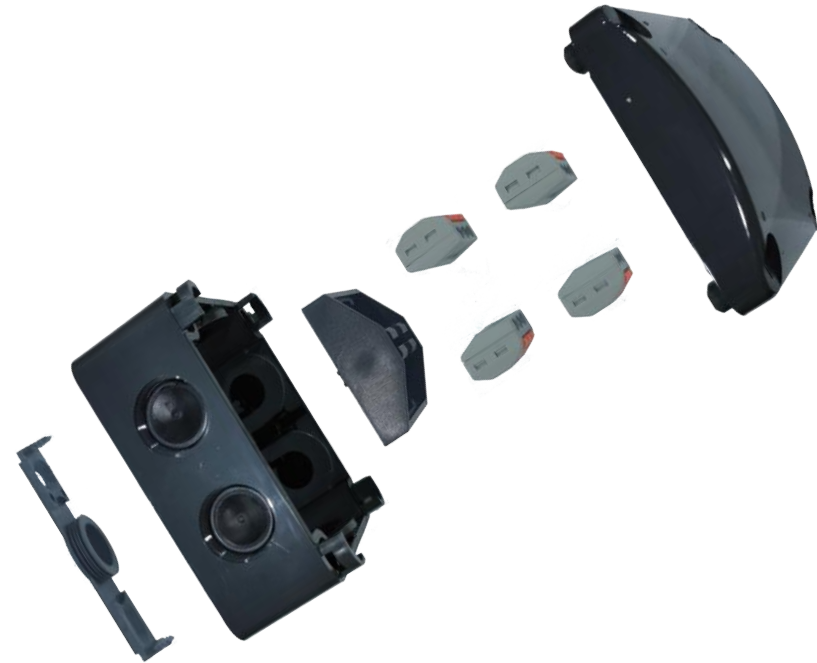




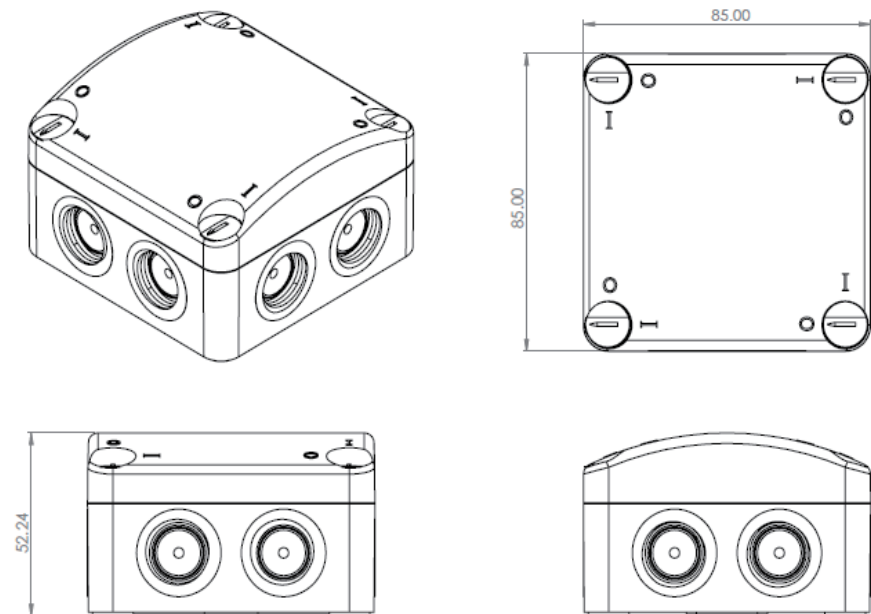
## 85MM X 85MM X 52MM IP66 WEATHERPROOF ENCLOSURE FURNISHED WITH 4 X 3 WAY LEVER CONNECTORS

### Features:

- IP66 Weatherproof rating
- 8 x M20 holes with rubber membrane
- 1/4 turn screws attached to lid
- 360° mounting bracket
- Optional wall clip fixing
- DIN Rail can be fixed inside



Technical Specification	
Material	Polycarbonate (UV stabilised)
Material sealing gasket & membranes	Thermoplastic Elastomer
Temp. range max	85°C
IP Rating	IP66
Glow Wire test	750°C
Current Rating – Lever Connectors	32A
Voltage – Lever connectors	450V
Connectors Supplied	4 x 3 Port Lever Connectors.
Fixings Points	<ul style="list-style-type: none"> <li>• 4 x screws on base or (NOT SUPPLIED)</li> <li>• 2x screws on wall clip (NOT SUPPLIED)</li> </ul>
Minimum cable dia	6MM
Maximum Cable dia	11MM
Dimensions	85mm x 85mm x 52mm
Entry	10 Entries: <ul style="list-style-type: none"> <li>• 8 x M20 (with membrane) on sides</li> <li>• 2 x 15mm Dia membrane on base</li> </ul>
Colour	Anthracite Grey (7016) / Black (9017)




## Compact Splicing Connectors 紧凑型快速连接器

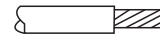






Cage Spring Terminal Block For hard wire and flexible wire 软硬线通用  
笼式弹簧接线端子

21 Series Regular Type 21系列常规款

接线范围/Wire Range: 硬线/Hard Wire: 0.08-4.0mm <sup>2</sup> AWG28-12 软线/Flexible Wire: 0.08-2.5mm <sup>2</sup> AWG28-14		电压/Voltage: 250V 电流/Current: 32A 材质/Material: PA66		 9-10mm/0.39in
				
<b>PCT-212</b> Size:(LxWxH) 12.5x21x14.4mm	<b>PCT-213</b> Size:(LxWxH) 17.1x21x14.4mm	<b>PCT-214</b> Size:(LxWxH) 21.7x21x14.4mm	<b>PCT-215</b> Size:(LxWxH) 26.3x21x14.4mm	<b>PCT-218</b> Size:(LxWxH) 40.6x21x14.4mm

Both side in line Series 双边进线系列

接线范围/Wire Range: 硬线/Hard Wire: 0.08-4.0mm <sup>2</sup> AWG28-12 软线/Flexible Wire: 0.08-2.5mm <sup>2</sup> AWG28-14		电压/Voltage: 250V 电流/Current: 32A 材质/Material: PA66		 9-10mm/0.39in
				
<b>PCT-2-2 / PCT-2-2H</b> Size:(LxWxH) 13.6x40.3x14.5mm	<b>PCT-2-3 / PCT-2-3H</b> Size:(LxWxH) 18.9x39.2x14.6mm	<b>PCT-2-4</b> Size:(LxWxH) 23.6x40.3x14.5mm	<b>PCT-2-5</b> Size:(LxWxH) 28.6x40.3x14.5mm	

\* PCT 2-2 series and YS-42/63 series products are suitable for wiring junction boxes and lighting appliances, etc.  
\* These series connector with compact cage spring connection technology can connect multiple thin wires from 0.08mm<sup>2</sup> to 4mm<sup>2</sup> and hard wires less than or equal to 2.5mm<sup>2</sup>, without any tools for operation.

\* PCT 2-2系列和YS-42/63系列产品适用于接线盒以及照明器具等的接线。  
\* 应用了紧凑型笼式弹簧连接技术的PCT-2系列和YS-42/63系列连接器可连接0.08mm<sup>2</sup>至4mm<sup>2</sup>的多股细导线及小于等于2.5mm<sup>2</sup>的硬导线，操作无需使用任何工具。

Both side in line Series 双边进线系列

接线范围/Wire Range: 硬线/Hard Wire: 0.08-4.0mm <sup>2</sup> AWG28-12 软线/Flexible Wire: 0.08-2.5mm <sup>2</sup> AWG28-14		电压/Voltage: 250V 电流/Current: 32A 材质/Material: PA66		 9-10mm/0.39in
				
<b>PCT-2-2C</b> Size:(LxWxH) 13.6x40.3x14.5mm	<b>PCT-2-3C</b> Size:(LxWxH) 18.9x39.2x14.6mm	<b>PCT-2-4C</b> Size:(LxWxH) 23.6x40.3x14.5mm	<b>PCT-2-5C</b> Size:(LxWxH) 28.6x40.3x14.5mm	

4mm<sup>2</sup> Deconcentrator 4mm<sup>2</sup>分线器

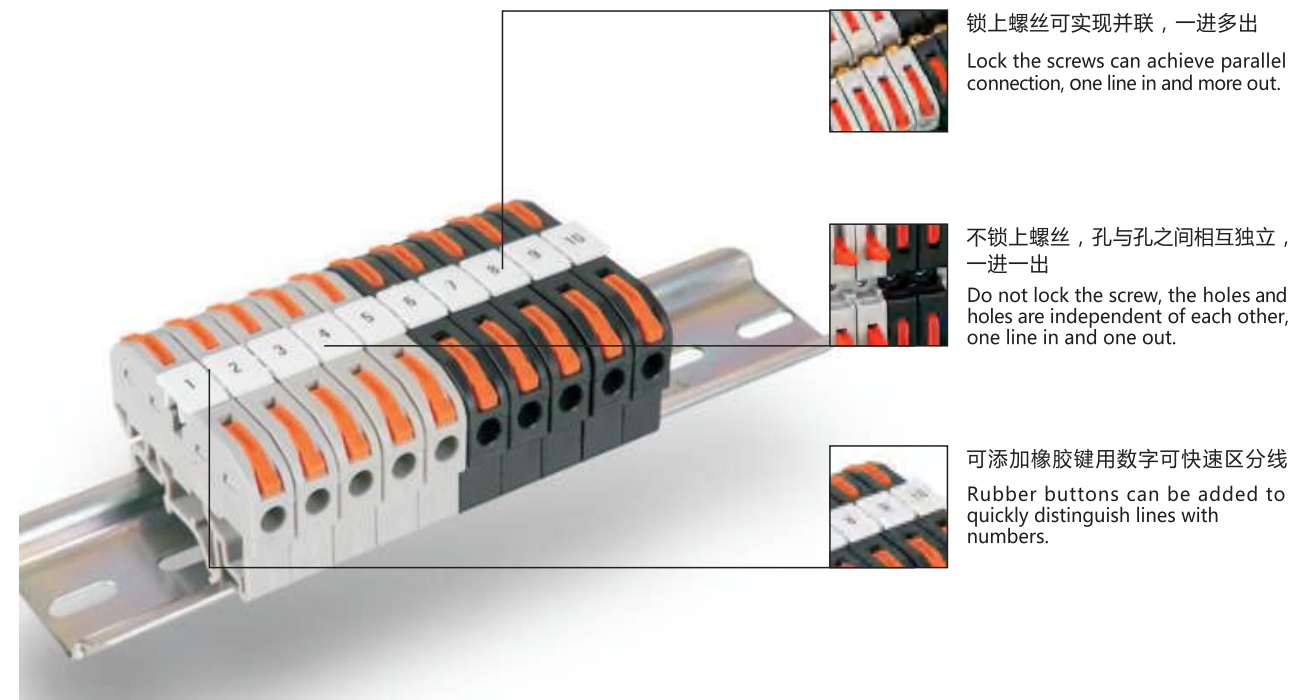
接线范围/Wire Range: 硬线/Hard Wire: 0.08-4.0mm <sup>2</sup> AWG28-12 软线/Flexible Wire: 0.08-2.5mm <sup>2</sup> AWG28-14		电压/Voltage: 250V 电流/Current: 32A 材质/Material: PA66/PC		 9-10mm/0.39in
				
<b>YS-42</b> Size:(LxWxH) 24.55x31.5x13.5MM	<b>YS-62</b> Size:(LxWxH) 33x31.5x13.5MM	<b>YS-63</b> Size:(LxWxH) 33.5x39.6x15.6MM	<b>YS-93</b> Size:(LxWxH) 49.5x39.6x15.6MM	



## Compact Splicing Connectors 紧凑型快速连接器

Din Rail Terminal Block: PCT-211 can replace UK series, Screwless design  
轨道式接线端子：PCT-211可代替UK系列，免螺丝设计

<b>PCT-211</b> Size: 48x30.6x8mm	接线范围/Wire Range:	电压/Voltage: 400V	 9-10mm/0.39in
	硬线/Hard Wire: 0.08-4.0mm <sup>2</sup> AWG28-12 软线/Flexible Wire: 0.08-2.5mm <sup>2</sup> AWG28-14	电流/Current: 32A 材质/Material: Nylon/PC	



锁上螺丝可实现并联，一进多出  
Lock the screws can achieve parallel connection, one line in and more out.



不锁上螺丝，孔与孔之间相互独立，一进一出  
Do not lock the screw, the holes and holes are independent of each other, one line in and one out.



可添加橡胶键用数字可快速区分线  
Rubber buttons can be added to quickly distinguish lines with numbers.



## GM2066 Series Waterproof Junction Box GM2066系列防水接线盒



GM2066-3T



GM2066-4T

## M686 Series Waterproof Connect - IP68 M686系列防水接线盒 - IP68



M686-2



M686-3



M686-4A



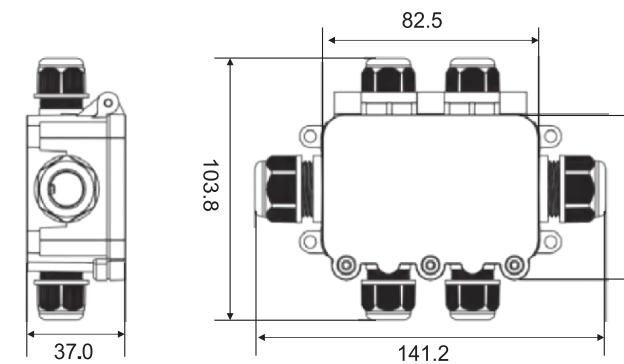
M686-4B



M686-5



M686-6



外线直径 Outer Cable Diameter:

M20: 5-7mm, 7-12mm

M16: 5-10mm

电压 Voltage(V): 450V

电流 Current(A): 16A

环境温度 Temperature Rating: -40°C~+105°C

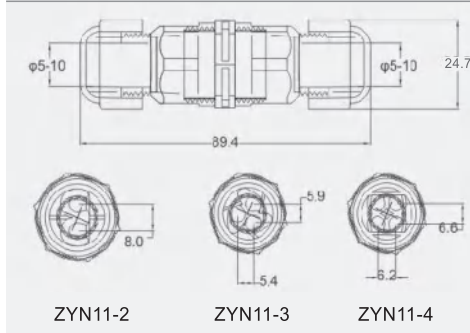
防水等级 IP Grade: IP68

外壳材质 Material: PC/PA66

线平方数 Wire Section: 0.5mm<sup>2</sup> - 6mm<sup>2</sup>

## Waterproof Connector Series 防水连接器系列

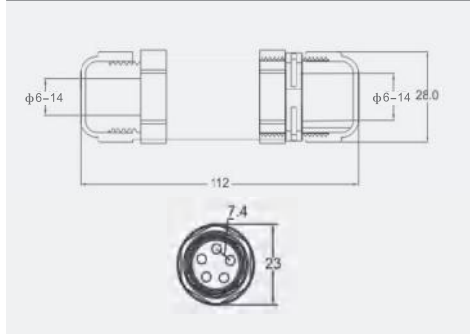
### ZYN11 ( PG11 )



Model: ZYN11-2 二芯  
ZYN11-3 三芯  
ZYN11-4 四芯

Current:  $\leq 24A$   
Voltage: 450V  
IP Grade: IP68  
Working:  $-40^{\circ}C \sim +95^{\circ}C$   
Outer Cable Dia.: 5-10mm(PG11)  
Wire Section:  $0.5mm^2 \sim 2.5mm^2$   
Housing Material: PA66  
Contact Material: Nickel-plated Brass

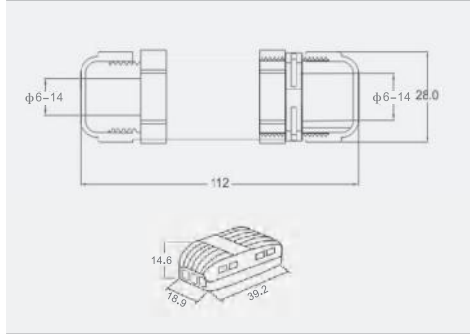
### ZYN12 ( PG16 )



Model: ZYN12-2 二芯  
ZYN12-3 三芯  
ZYN12-4 四芯  
ZYN12-5 五芯

Current:  $\leq 24A$   
Voltage: 450V  
IP Grade: IP68  
Working:  $-40^{\circ}C \sim +95^{\circ}C$   
Outer Cable Dia.: 6-14mm(PG16)  
Wire Section:  $0.5mm^2 \sim 4mm^2$   
Housing Material: PA66  
Contact Material: Nickel-plated Brass

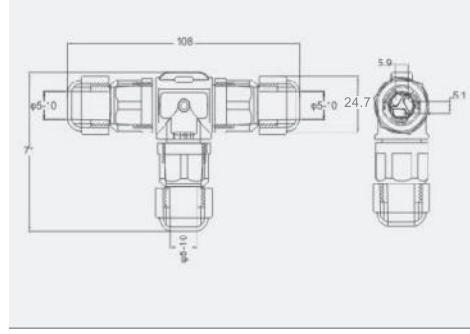
### ZYN13 ( PG16 )



Model: ZYN13-3 三芯

Current:  $\leq 32A$   
Voltage: 250V  
IP Grade: IP68  
Working:  $-40^{\circ}C \sim +95^{\circ}C$   
Outer Cable Dia.: 6-14mm(PG16)  
Wire Section:  $0.5mm^2 \sim 4mm^2$   
Housing Material: PA66  
Contact Material: Nickel-plated Brass

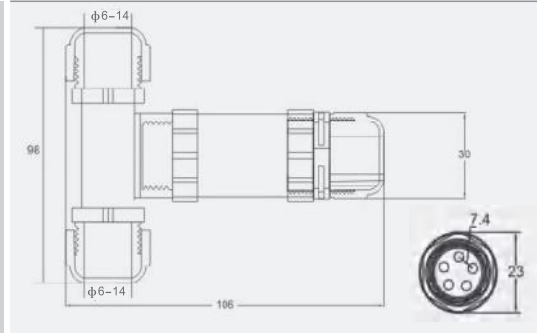
### ZYT1 ( PG11 )



Model: ZYT1-2 二芯  
ZYT1-3 三芯

Current:  $\leq 24A$   
Voltage: 450V  
IP Grade: IP68  
Working:  $-40^{\circ}C \sim +95^{\circ}C$   
Outer Cable Dia.: 5-10mm(PG11)  
Wire Section:  $0.5mm^2 \sim 2.5mm^2$   
Housing Material: PA66  
Contact Material: Nickel-plated Brass

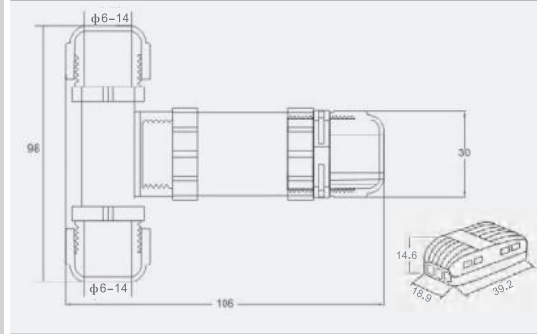
### ZYT2 ( PG16 )



Model: ZYT2-2 二芯  
ZYT2-3 三芯  
ZYT2-4 四芯  
ZYT2-5 五芯

Current:  $\leq 24A$   
Voltage: 450V  
IP Grade: IP68  
Working:  $-40^{\circ}C \sim +95^{\circ}C$   
Outer Cable Dia.: 6-14mm(PG16)  
Wire Section:  $0.5mm^2 \sim 4mm^2$   
Housing Material: PA66  
Contact Material: Nickel-plated Brass

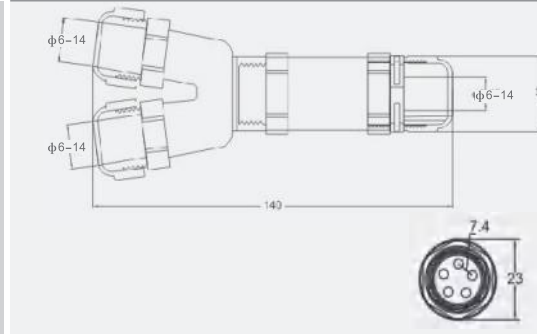
### ZYT3 ( PG16 )



Model: ZYT3-3 三芯

Current:  $\leq 32A$   
Voltage: 250V  
IP Grade: IP68  
Working:  $-40^{\circ}C \sim +95^{\circ}C$   
Outer Cable Dia.: 6-14mm(PG16)  
Wire Section:  $0.5mm^2 \sim 4mm^2$   
Housing Material: PA66  
Contact Material: Nickel-plated Brass

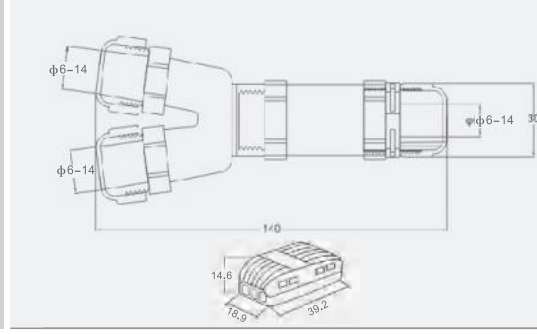
### ZYY1 ( PG16 )



Model: ZYY1-2 二芯  
ZYY1-3 三芯  
ZYY1-4 四芯  
ZYY1-5 五芯

Current:  $\leq 24A$   
Voltage: 450V  
IP Grade: IP68  
Working:  $-40^{\circ}C \sim +95^{\circ}C$   
Outer Cable Dia.: 6-14mm(PG16)  
Wire Section:  $0.5mm^2 \sim 4mm^2$   
Housing Material: PA66  
Contact Material: Nickel-plated Brass

### ZYY2 ( PG16 )



Model: ZYY2-3 三芯

Current:  $\leq 32A$   
Voltage: 250V  
IP Grade: IP68  
Working:  $-40^{\circ}C \sim +95^{\circ}C$   
Outer Cable Dia.: 6-14mm(PG16)  
Wire Section:  $0.5mm^2 \sim 4mm^2$   
Housing Material: PA66  
Contact Material: Nickel-plated Brass