

# SOLAR PV COMBINER BOX

**SIMPLY &  
SAFETY**

Product Catalogue

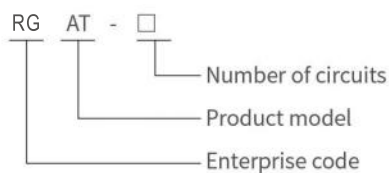


# RGAT SERIES

## waterproof distribution box



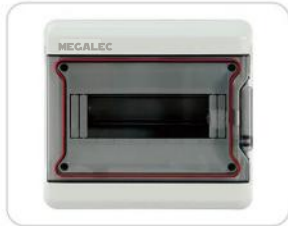
### Model meaning



- The bottom shell and surface frame are made of ABS new material, while the transparent cover is made of PC new material, which has characteristics such as good toughness, high strength, good impact resistance, and long service life.
- Suitable for various indoor and outdoor places such as waterproof, dustproof, and anti-corrosion
- Executive standard: GB/T 17466.1; GB/T 17466.24;  
IEC 60529 IP65



## Product Benefit Description



**IP65 protection level**

1. The surface cover and bottom shell are wrapped with waterproof sealing strips, providing better waterproof performance  
2. Fix screws inside the waterproof strip to improve waterproofing performance



**Buckle structure**

Reinforced buckle for face frame and cover, with a more structured design  
Strengthen reliability



**Reserved function sticker position**

Reserve a position for functional stickers on the face frame, and after applying the functional stickers, clearly view the control area of the components



**Latch function**

Reserved installation of anti-theft lock



**Circuit baffle structure**

The left and right sides of the face frame are equipped with circuit baffles, which have partial filling function and are easy to disassemble



**Loose frame structure**

The fixed surface frame is fixed with an unbreakable screw, loosen it After the face frame, the screws will not be missed



**Can be opened arbitrarily**

Holes can be opened freely according to actual application needs



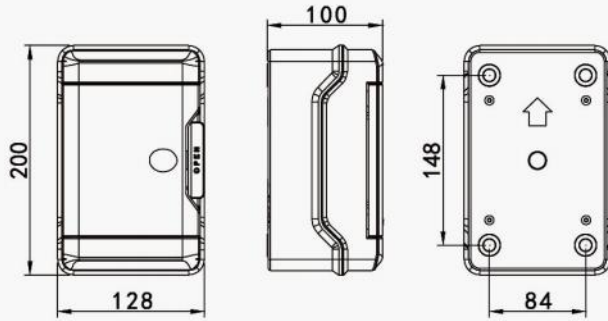
**Copper terminal assembly**

The terminal block can pass the 960 °C hot wire test with guaranteed safety performance

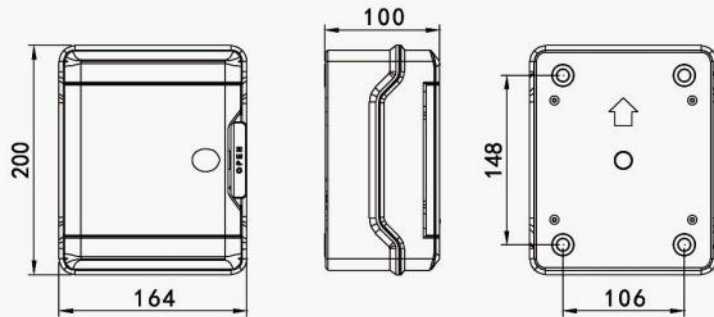
## RGAT series surface mounted waterproof distribution box product data summary table

No.	Model and name	Number of circuits	Number of rows	Overall dimensions (mm) (L*W*H)	Zero and ground busbar configuration	Outer box size (mm) (L*W*H)	Gross weight of the entire box (kg)	Number of boxes (pieces)
1	RGAT-4 Exposed waterproof distribution box	4way	Single Row	128*200*100	Zero row: 3holes Ground row: 3holes	545*425*555	21.5	40
2	RGAT-6 Exposed waterproof distribution box	6way		164*200*100	Zero row: 5holes Ground row: 5holes	545*425*530	17.8	30
3	RGAT-9 Exposed waterproof distribution box	9way		218*200*100	Zero row: 5holes Ground row: 5holes	545*425*465	16.2	20
4	RGAT-13 Exposed waterproof distribution box	13way		296*230*120	Zero row: 8holes Ground row: 8holes	622*520*490	19	16
5	RGAT-15 Exposed waterproof distribution box	15way		332*230*120	Zero row: 8holes Ground row: 8holes	645*357*490	13.8	10
6	RGAT-18 Exposed waterproof distribution box	18way		386*230*120	Zero row: 8holes Ground row: 8holes	645*405*490	15.5	10
7	RGAT-26 Exposed waterproof distribution box	26way	Double row	296*390*130	Zero row: Two8holes Ground row: Two8holes	642*425*415	19.2	6
8	RGAT-39 Exposed waterproof distribution box	39way	Three rows	296*550*130	Zero row: Two8holes Ground row: Two8holes	565*315*146	2.7	1

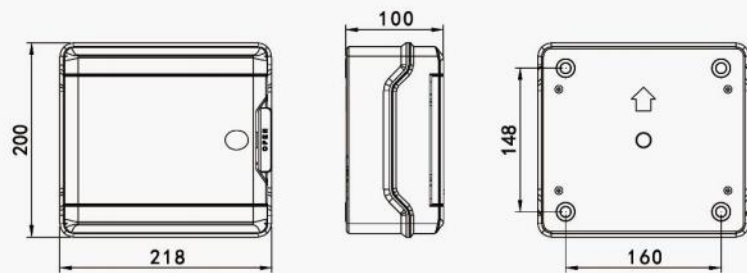
RGAT-4



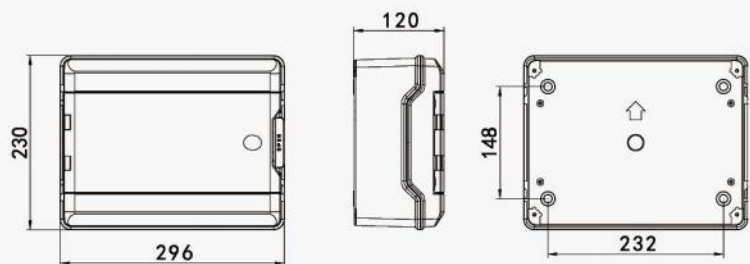
RGAT-6



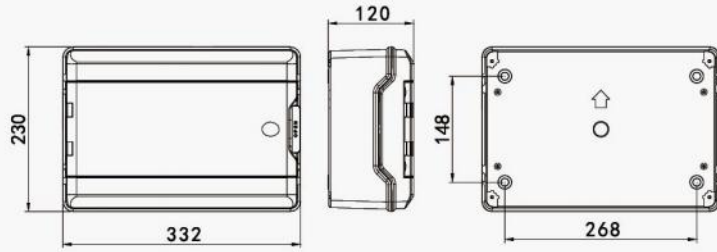
RGAT-9



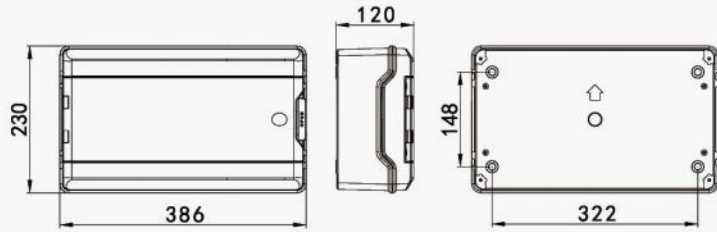
RGAT-13



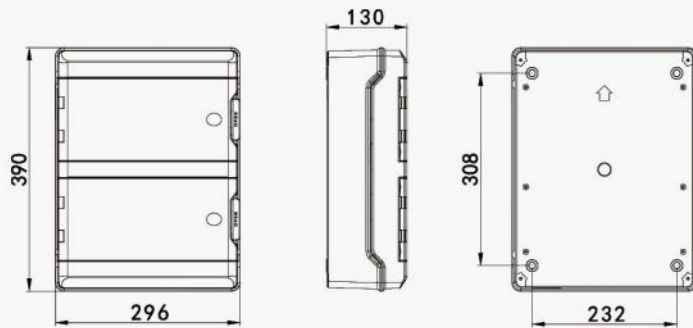
RGAT-15



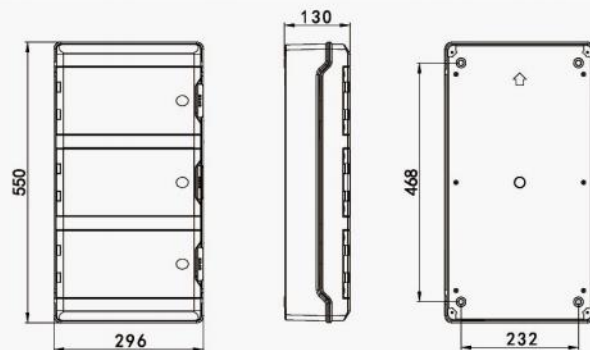
RGAT-18



RGAT-26



RGAT-39

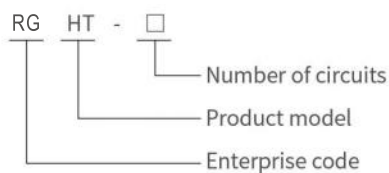


# RGHT SERIES

## waterproof distribution box



### Model meaning



- The bottom shell and surface frame are made of ABS new material, while the transparent cover is made of PC new material, which has characteristics such as good toughness, high strength, good impact resistance, and long service life.
- Suitable for various indoor and outdoor places such as waterproof, dustproof, and anti-corrosion
- Executive standard: GB/T 17466.1; GB/T 17466.24;  
IEC 60529 IP65



## Product Benefit Description



### IP65 protection level

The surface cover and bottom shell are wrapped with waterproof sealing strips, providing better waterproof performance



### Lock buckle structure

Thickened lock positions on the face frame and cover make the structure more secure



### Hinge structure of the cover

1. Opening angle of the cover  $\geq 115^\circ$  ;
2. The cover can be fixed when opened at the maximum angle;
3. Face cover closure and closing life  $\geq 500$  times



### Accessory bag installation packAge

Attachment packAge contains:  
4 pieces  $\phi 6 \times 30$  plastic Expansion tube+4 M4  $\times$  25 self tapping screws



### Equipped with circuit baffle

The left and right sides of the face frame are equipped with circuit baffles,Partial filling function and easy disassembly



### Loose frame structure

1. The fixed face frame is a non loosening screw, and after loosening the face frame, the screw will not be missed
2. Fixed screws on the outer side of the waterproof strip for better waterproof performance



### Multi ring knockout hole

Knock off the surface of the hole with lettering for easy selection of lines Specification of cable joint and reserved hole opener Positional aperture



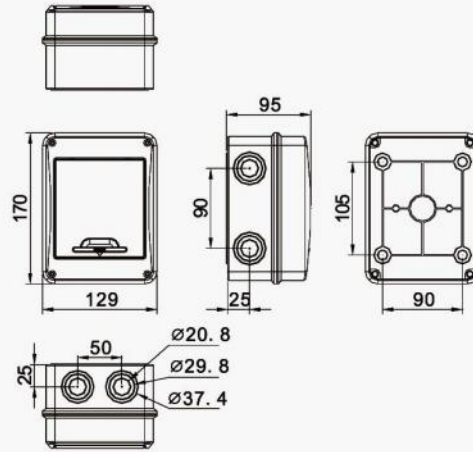
### Copper terminal assembly

The terminal block can pass the 960  $^\circ\text{C}$  hot wire test with guaranteed safety performance

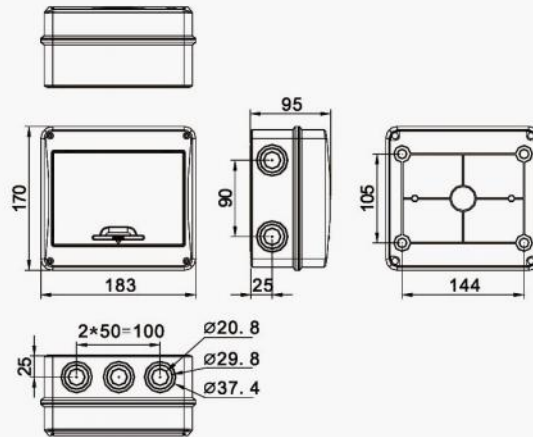
## RGHT series surface mounted waterproof distribution box product data summary table

No.	Model and name	Number of circuits	Number of rows	Overall dimensions (mm) (L*W*H)	Zero and ground busbar configuration	Outer box size (mm) (L*W*H)	Gross weight of the entire box (kg)	Number of boxes (pieces)
1	RGHT-5 Exposed waterproof distribution box	5way	Single Row	129*170*95	Zero row: 3holes Ground row: 3holes	555*365*520	18.2	40
2	RGHT-8 Exposed waterproof distribution box	8way		183*170*95	Zero row: 5holes Ground row: 5holes	520*390*545	17.8	30
3	RGHT-12 Exposed waterproof distribution box	12way		255*200*105	Zero row: 8holes Ground row: 8holes	570*425*540	18	20
4	RGHT-15 Exposed waterproof distribution box	15way		309*200*105	Zero row: 8holes Ground row: 8holes	625*460*430	17.3	16
5	RGHT-18 Exposed waterproof distribution box	18way		363*200*110	Zero row: 8holes Ground row: 8holes	575*383*430	12.6	10

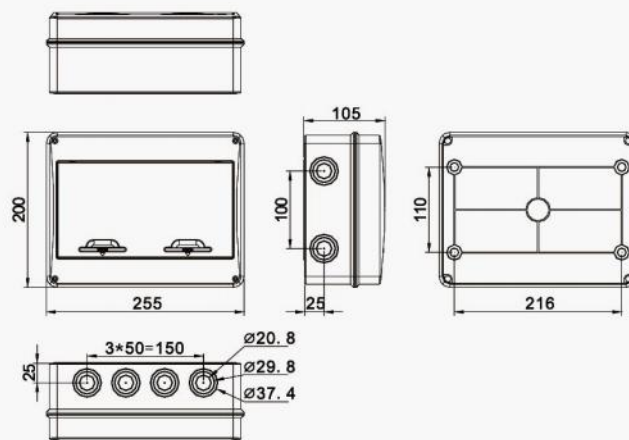
RGHT-5



RGHT-8

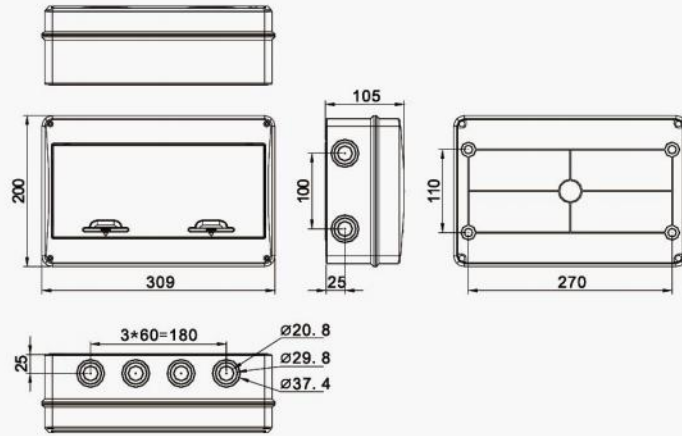


RGHT-12

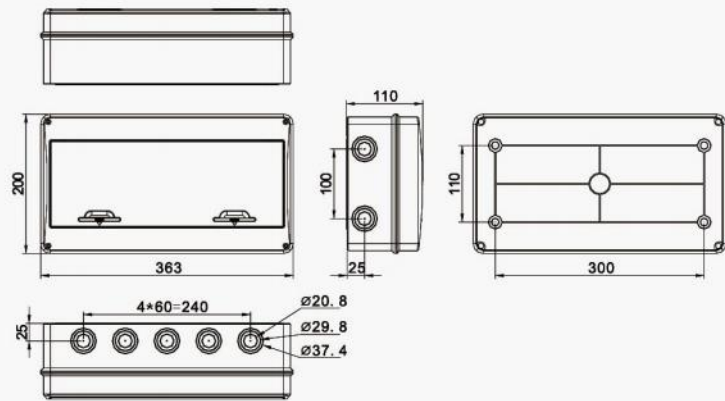




RGHT-15



RGHT-18



# DHS SERIES PV Combiner Box



## DHS SERIES PV Combiner Box 600VDC /1000VDC

We have been committed to the inheritance and continuous progress of the electrical field, and are dedicated to ensuring the transmission and distribution of electrical energy. As a R&D and manufacturer of electrical installation and cable access products, we demonstrate the strength of the Dongxiao brand through our strong R&D creativity and solutions, with customers at the core and fast delivery.

## 1 INPUT 1 OUTPUT 1000VDC

### DHS-1/1



### Product Application

Suitable for PV system, equipped with a surge protector and an isolator, providing isolation, leakage and grounding protection.

### DC Surge Arrester

SPD-T2-DC/2P

- Max Operation Voltage 1000V
- Standard Compliance with IEC/EN 61643-31 Type2
- Maximum Discharge Current 40 KA

### DC Fuse

DF3-32/DF3-32L

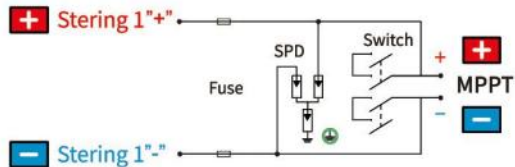
- LED Indicator or without LED indicator
- Rated Working Voltage 1000V
- Fuse Link 10x38mm 16A

### DC Switch Disconnector

DS1-32

- Rated Insulation Voltage 1200V
- Rated Current 32A

### Technical Data

Specification		Wiring diagram
	DHS-1/1	
Input	1 strings	
Output	1 strings	
Max Voltage	1000V	
Max DC Short Circuit Current Per Input	16A(Changeable)	
Max Current Output	32A	
<b>Enclosure</b>		
Material	PC	
Degree of Protection	IP65	
Impacts	IK09	
Dimensions	DXAT-9; L218*W200*H100mm	
Cable input Entry	PG09 Cable Gland, 2.5-16mm <sup>2</sup>	
Output Cable Gland	PG21,2.5-16mm <sup>2</sup>	
<b>Environment</b>		
Operating temperature	-20°C - +60°C	
Humidity	99%	
Altitude	2000M	
Installation	Wall Mounting	

## 2 INPUT 1 OUTPUT 1000VDC

### DHS-2/1



### Product Application

Suitable for PV system, equipped with a surge protector and an isolator, providing isolation, leakage and grounding protection.

### DC Surge Arrester

SPD-T2-DC/3P

- Max Operation Voltage 1000V
- Standard Compliance with IEC/EN 61643-31 Type2
- Maximum Discharge Current 40 KA

### DC Fuse

DF3-32/DF3-32L

- LED Indicator or without LED indicator
- Rated Working Voltage 1000V
- Fuse Link 10x38mm 16A

### DC Switch Disconnector

DS1-32

- Rated Insulation Voltage 1200V
- Rated Current 32A

### Technical Data

Specification		Wiring diagram
	DHS-2/1	
Input	2 strings	
Output	1 strings	
Max Voltage	1000V	
Max DC Short Circuit Current Per Input	16A(Changeable)	
Max Current Output	32A	
<b>Enclosure</b>		
Material	PC	
Degree of Protection	IP65	
Impacts	IK09	
Dimensions	DXAT-13; L296*W230*H120mm	
Cable input Entry	PG09 Cable Gland, 2.5-16mm <sup>2</sup>	
Output Cable Gland	PG21,2.5-16mm <sup>2</sup>	
<b>Environment</b>		
Operating temperature	-20°C - +60°C	
Humidity	99%	
Altitude	2000M	
Installation	Wall Mounting	

## 3 INPUT 1 OUTPUT 1000VDC

### DHS-3/1



### Product Application

Suitable for PV system, equipped with a surge protector and an isolator, providing isolation, leakage and grounding protection.

### DC Surge Arrester

SPD-T2-DC/3P

- Max Operation Voltage 1000V
- Standard Compliance with IEC/EN 61643-31 Type2
- Maximum Discharge Current 40 KA

### DC Fuse

DF3-32/DF3-32L

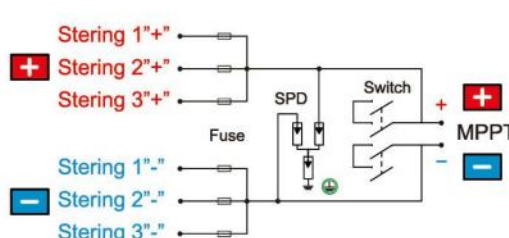
- LED Indicator or without LED indicator
- Rated Working Voltage 1000V
- Fuse Link 10x38mm 16A

### DC Switch Disconnector

DS1-32

- Rated Insulation Voltage 1200V
- Rated Current 32A

### Technical Data

Specification		Wiring diagram
	DHS-3/1	
Input	3 strings	
Output	1 strings	
Max Voltage	1000V	
Max DC Short Circuit Current Per Input	16A(Changeable)	
Max Current Output	32A	
<b>Enclosure</b>		
Material	PC	
Degree of Protection	IP65	
Impacts	IK09	
Dimensions	DXAT-13; L296*W230*H120mm	
Cable input Entry	PG09 Cable Gland, 2.5-16mm <sup>2</sup>	
Output Cable Gland	PG21,2.5-16mm <sup>2</sup>	
<b>Environment</b>		
Operating temperature	-20°C - +60°C	
Humidity	99%	
Altitude	2000M	
Installation	Wall Mounting	

## 2 INPUT 2 OUTPUT 1000VDC

### DHS-2/2



### Product Application

Suitable for PV system, equipped with a surge protector and an isolator, providing isolation, leakage and grounding protection.

### DC Surge Arrester

SPD-T2-DC/3P

- Max Operation Voltage 1000V
- Standard Compliance with IEC/EN 61643-31 Type2
- Maximum Discharge Current 40 KA

### DC Fuse

DF3-32/DF3-32L

- LED Indicator or without LED indicator
- Rated Working Voltage 1000V
- Fuse Link 10x38mm 16A

### DC Switch Disconnecter

DS1-32

- Rated Insulation Voltage 1200V
- Rated Current 32A

### Technical Data

Specification		Wiring diagram
	DHS-2/2	
Input	2 strings	
Output	2 strings	
Max Voltage	1000V	
Max DC Short Circuit Current Per Input	16A(Changeable)	
Max Current Output	32A	
<b>Enclosure</b>		
Material	PC	
Degree of Protection	IP65	
Impacts	IK10	
Dimensions	DXAT-18:L386*W230*H120mm	
Cable input Entry	PG09 Cable Gland, 2.5-16mm <sup>2</sup>	
Output Cable Gland	PG21,2.5-16mm <sup>2</sup>	
<b>Environment</b>		
Operating temperature	-20°C - +60°C	
Humidity	99%	
Altitude	2000M	
Installation	Wall Mounting	

## 4 INPUT 2 OUTPUT 1000VDC

### DHS-4/2



### Product Application

Suitable for PV system, equipped with a surge protector and an isolator, providing isolation, leakage and grounding protection.

### DC Surge Arrester

SPD-T2-DC/3P

- Max Operation Voltage 1000V
- Standard Compliance with IEC/EN 61643-31 Type2
- Maximum Discharge Current 40 KA

### DC Fuse

DF3-32/DF3-32L

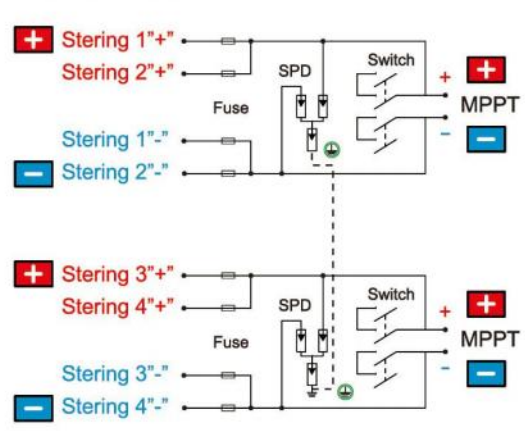
- LED Indicator or without LED indicator
- Rated Working Voltage 1000V
- Fuse Link 10x38mm 16A

### DC Switch Disconnecter

DS1-32

- Rated Insulation Voltage 1200V
- Rated Current 32A

### Technical Data

Specification		Wiring diagram
	DHS-4/2	
Input	4 strings	
Output	2 strings	
Max Voltage	1000V	
Max DC Short Circuit Current Per Input	16A(Changeable)	
Max Current Output	32A	
<b>Enclosure</b>		
Material	PC	
Degree of Protection	IP65	
Impacts	IK09	
Dimensions	DXAT-26; L296*W390*H130mm	
Cable input Entry	PG09 Cable Gland, 2.5-16mm <sup>2</sup>	
Output Cable Gland	PG21,2.5-16mm <sup>2</sup>	
<b>Environment</b>		
Operating temperature	-20°C - +60°C	
Humidity	99%	
Altitude	2000M	
Installation	Wall Mounting	

## 6 INPUT 2 OUTPUT 1000VDC

### DHS-6/2



### Product Application

Suitable for PV system, equipped with a surge protector and an isolator, providing isolation, leakage and grounding protection.

### DC Surge Arrester

SPD-T2-DC/3P

- Max Operation Voltage 1000V
- Standard Compliance with IEC/EN 61643-31 Type2
- Maximum Discharge Current 40 KA

### DC Fuse

DF3-32/DF3-32L

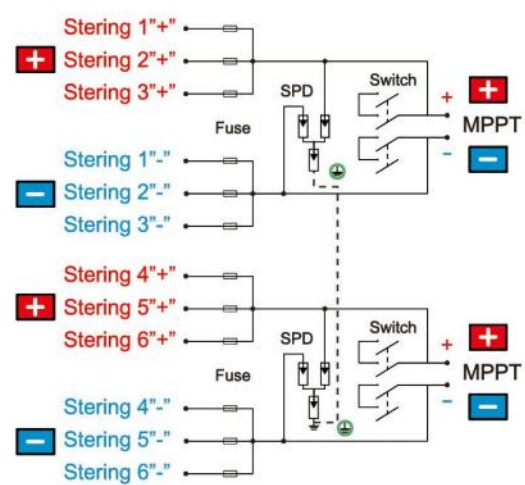
- LED Indicator or without LED indicator
- Rated Working Voltage 1000V
- Fuse Link 10x38mm 16A

### DC Switch Disconnecter

DS1-32

- Rated Insulation Voltage 1200V
- Rated Current 32A

### Technical Data

Specification		Wiring diagram
	DHS-6/2	
Input	6 strings	
Output	2 strings	
Max Voltage	1000V	
Max DC Short Circuit Current Per Input	16A(Changeable)	
Max Current Output	32A	
<b>Enclosure</b>		
Material	PC	
Degree of Protection	IP65	
Impacts	IK09	
Dimensions	DXAT-26;L296*W390*H130mm	
Cable input Entry	PG09 Cable Gland, 2.5-16mm <sup>2</sup>	
Output Cable Gland	PG21,2.5-16mm <sup>2</sup>	
<b>Environment</b>		
Operating temperature	-20°C - +60°C	
Humidity	99%	
Altitude	2000M	
Installation	Wall Mounting	



# DHD SERIES PV Combiner Box



## DHD SERIES PV Combiner Box 500VDC / 1000VDC

We have been committed to the inheritance and continuous progress of the electrical field, and are dedicated to ensuring the transmission and distribution of electrical energy. As a R&D and manufacturer of electrical installation and cable access products, we demonstrate the strength of the Dongxiao brand through our strong R&D creativity and solutions, with customers at the core and fast delivery.

## 1 INPUT 1 OUTPUT 500VDC / 1000VDC

### DHD-1/1



### Product Application

IP65 DC string box is designed for 1 string PV system. For surge protection and over-load protection at solar DC side.

### DC Breaker

DB1-63

- IEC60947-2 PV&DC standard
- Over-load, short circuit Protection
- Non Polarity for easier wiring

### DC Surge Arrester

SPD-T2-DC/3P

- Max Operation Voltage 1000V
- Standard Compliance with IEC/EN 61643-31 Type2
- Maximum Discharge Current 40 KA

### DC Fuse

DF3-32/DF3-32L

- LED indicator or without LED indicator
- Rated Working Voltage 1000V
- Fuse Link 10x38mm 16A

### Technical Data

Specification		DHD-1/1	Wiring diagram
Input		1 strings	
Output		1 strings	
Max Voltage		500V      1000V	
Rated Current of DC Breaker		16A      16A	
Max Current Output		63A      40A	
<b>Enclosure</b>			
Material		PC	
Degree of Protection		IP65	
Impacts		IK09	
Dimensions		DXAT-9; L218*W200*H100mm	
Input Cable Glands		PG09,2.5-16	
Output Cable Gland		PG21,2.5-16	
<b>Environment</b>			
Operating temperature		-20°C - +60°C	
Humidity		99%	
Altitude		2000M	
Installation		Wall Mounting	

## 2 INPUT 1 OUTPUT 1000VDC

### DHD-2/1



### Product Application

IP65 DC string box is designed for 2 string PV system. For surge protection and current protection at solar DC side.

### DC Breaker

DB1-63

- IEC60947-2 PV&DC standard
- Over-load, short circuit Protection
- Non Polarity for easier wiring

### DC Surge Arrester

SPD-T2-DC/3P

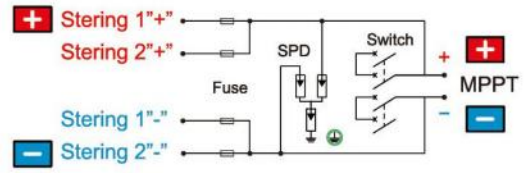
- Max Operation Voltage 1000V
- Standard Compliance with IEC/EN 61643-31 Type2
- Maximum Discharge Current 40 KA

### DC Fuse

DF3-32/DF3-32L

- LED indicator or without LED indicator
- Rated Working Voltage 1000V
- Fuse Link 10x38mm 16A

### Technical Data

Specification		Wiring diagram
	DHD-2/1	
Input	2 strings	
Output	1 strings	
Max Voltage	1000V	
Rated Current of DC Breaker	16A	
Max Current Output	40A	
<b>Enclosure</b>		
Material		
Degree of Protection	IP65	
Impacts	IK09	
Dimensions	DXAT-13; L296*W230*H120mm	
Input Cable Glands	PG09,2.5-16	
Output Cable Gland	PG21,2.5-16	
<b>Environment</b>		
Operating temperature	-20°C - +60°C	
Humidity	99%	
Altitude	2000M	
Installation	Wall Mounting	

## 3 INPUT 1 OUTPUT 500VDC / 1000VDC

### DHD-3/1



### Product Application

IP65 DC string box is designed for 3 string PV system. For surge protection and current protection at solar DC side.

### DC Breaker

DB1-63

- IEC60947-2 PV&DC standard
- Over-load, short circuit Protection
- Non Polarity for easier wiring

### DC Surge Arrester

SPD-T2-DC/3P

- Max Operation Voltage 1000V
- Standard Compliance with IEC/EN 61643-31 Type2
- Maximum Discharge Current 40 KA

### DC Fuse

DF3-32/DF3-32L

- LED indicator or without LED indicator
- Rated Working Voltage 1000V
- Fuse Link 10x38mm 16A

### Technical Data

Specification		DHD-3/1	Wiring diagram
Input		3 strings	
Output		1 strings	
Max Voltage		500V      1000V	
Rated Current of DC Breaker		16A      16A	
Max Current Output		63A      40A	
<b>Enclosure</b>			
Material			
Degree of Protection		IP65	
Impacts		IK09	
Dimensions		DXAT-13:L296*W230*H120mm	
Input Cable Glands		PG09,2,5-16	
Output Cable Gland		PG21,2,5-16	
<b>Environment</b>			
Operating temperature		-20°C - +60°C	
Humidity		99%	
Altitude		2000M	
Installation		Wall Mounting	

## 2 INPUT 2 OUTPUT 500VDC / 1000VDC

### DHD-2/2



### Product Application

IP65 DC string box is designed for 2 string PV system. For surge protection and current protection at solar DC side.

### DC Breaker

DB1-63

- IEC60947-2 PV&DC standard
- Over-load, short circuit Protection
- Non Polarity for easier wiring

### DC Surge Arrester

SPD-T2-DC/3P

- Max Operation Voltage 1000V
- Standard Compliance with IEC/EN 61643-31 Type2
- Maximum Discharge Current 40 KA

### DC Fuse

DF3-32/DF3-32L

- LED indicator or without LED indicator
- Rated Working Voltage 1000V
- Fuse Link 10x38mm 16A

### Technical Data

Specification		DHD-2/2	Wiring diagram
Input		2 strings	
Output		2 strings	
Max Voltage		500V      1000V	
Rated Current of DC Breaker		25A      25A	
Max Current Output		63A      40A	
<b>Enclosure</b>			
Material		PC	
Degree of Protection		IP65	
Impacts		IK09	
Dimensions		DXAT-18; L386*W230*H120mm	
Input Cable Glands		PG09,2.5-16	
Output Cable Gland		PG21,2.5-16	
<b>Environment</b>			
Operating temperature		-20°C - +60°C	
Humidity		99%	
Altitude		2000M	
Installation		Wall Mounting	

## 4 INPUT 2 OUTPUT 500VDC / 1000VDC

### DHD-4/2



### Product Application

IP65 DC string box is designed for 4 string PV system. For surge protection and over-load protection at solar DC side.

### DC Breaker

DB1-63

- IEC60947-2 PV&DC standard
- Over-load, short circuit Protection
- Non Polarity for easier wiring

### DC Surge Arrester

SPD-T2-DC/3P

- Max Operation Voltage 1000V
- Standard Compliance with IEC/EN 61643-31 Type2
- Maximum Discharge Current 40 KA

### DC Fuse

DF3-32/DF3-32L

- LED indicator or without LED indicator
- Rated Working Voltage 1000V
- Fuse Link 10x38mm 16A

### Technical Data

Specification		DHD-4/2	Wiring diagram
Input		4 strings	
Output		2 strings	
Max Voltage		500V      1000V	
Rated Current of DC Breaker		25A / 25A      25A / 25A	
Max Current Output		63A / 63A      40A / 40A	
<b>Enclosure</b>			
Material		PC	
Degree of Protection		IP65	
Impacts		IK09	
Dimensions		DXAT-26; L296*W390*H130mm	
Input Cable Glands		PG09,2.5-16	
Output Cable Gland		PG21,2.5-16	
<b>Environment</b>			
Operating temperature		-20°C - +60°C	
Humidity		99%	
Altitude		2000M	
Installation		Wall Mounting	

## 6 INPUT 2 OUTPUT 1000VDC

### DHD-6/2



### Product Application

IP65 DC string box is designed for 6 string PV system. For surge protection and current protection at solar DC side.

### DC Breaker

DB1-63

- IEC60947-2 PV&DC standard
- Over-load, short circuit Protection
- Non Polarity for easier wiring

### DC Surge Arrester

SPD-T2-DC/3P

- Max Operation Voltage 1000V
- Standard Compliance with IEC/EN 61643-31 Type2
- Maximum Discharge Current 40 KA

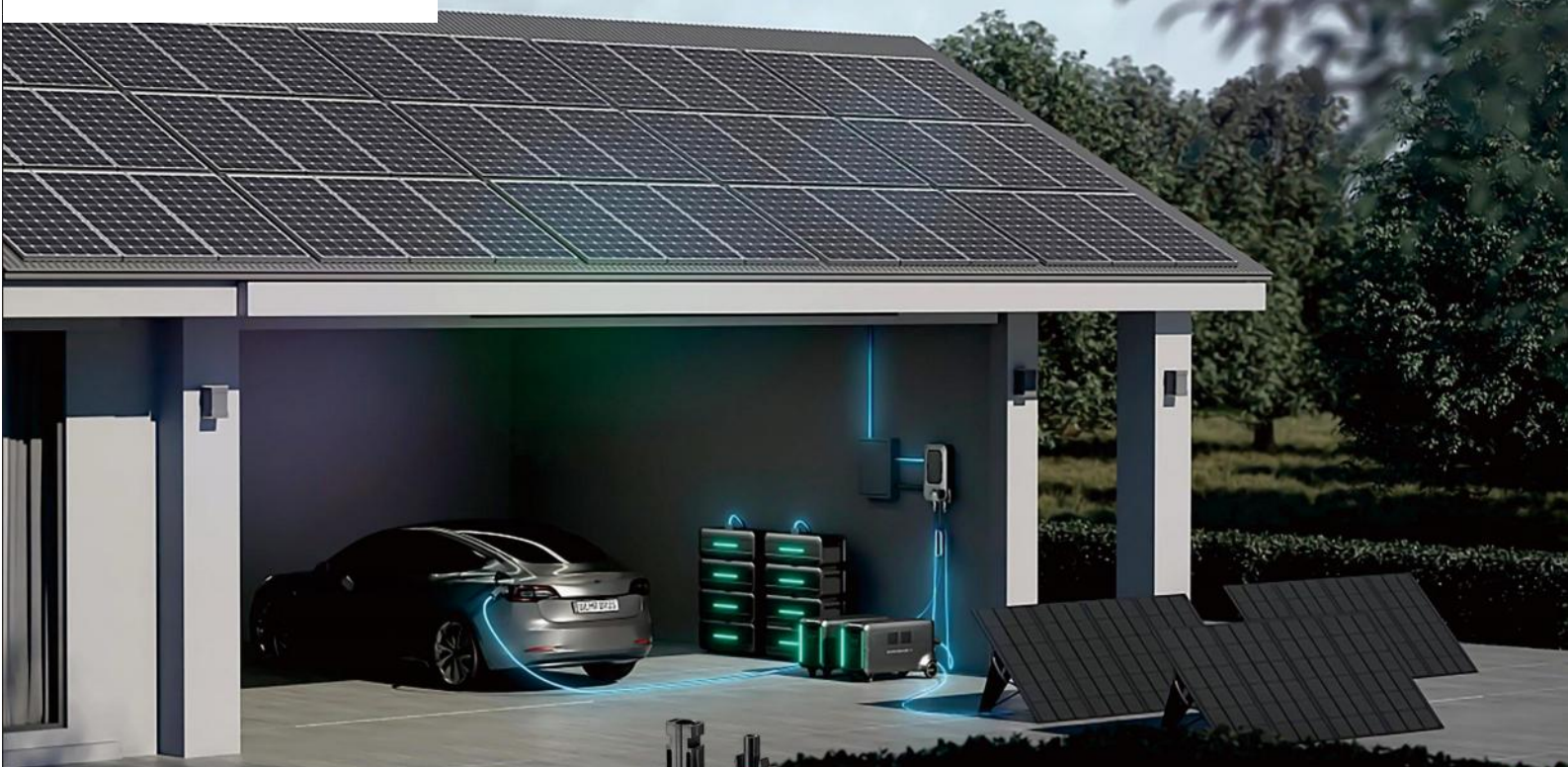
### DC Fuse

DF3-32/DF3-32L

- LED indicator or without LED indicator
- Rated Working Voltage 1000V
- Fuse Link 10x38mm 16A

### Technical Data

Specification		Wiring diagram
	DHD-6/2	
Input	6 strings	
Output	2 strings	
Max Voltage	1000V	
Rated Current of DC Breaker	40A / 40A / 40A	
Max Current Output	40A / 40A / 40A	
<b>Enclosure</b>		
Material	PC	
Degree of Protection	IP65	
Impacts	IK09	
Dimensions	DXAT-26:L296*W390*H130mm	
Input Cable Glands	PG09,2.5-16	
Output Cable Gland	PG21,2.5-16	
<b>Environment</b>		
Operating temperature	-20°C - +60°C	
Humidity	99%	
Altitude	2000M	
Installation	Wall Mounting	



# Main Components For PV Combiner Box



## DS1 Series PV Switch-disconnector



### Application range:

DS1 series PV Switch-disconnector is suitable for rated voltage DC1200V and below, rated current 32A and below power system. The product can be used for infrequent connection and disconnection, which can isolate the disconnection line and disconnect 1~4 MPPT lines at the same time. It is suitable for isolating lines in DC transmission and distribution systems, such as cutting the direct current circuit between solar panels and inverters.

### Type and meaning:

DS 1 - 32 EL

- EL: With plastic box, Ip66; (Empty: Without box, IP20)
- 32: Conventional thermal current 32A
- 1: Series
- D: Direct current; S: Disconnecting switch

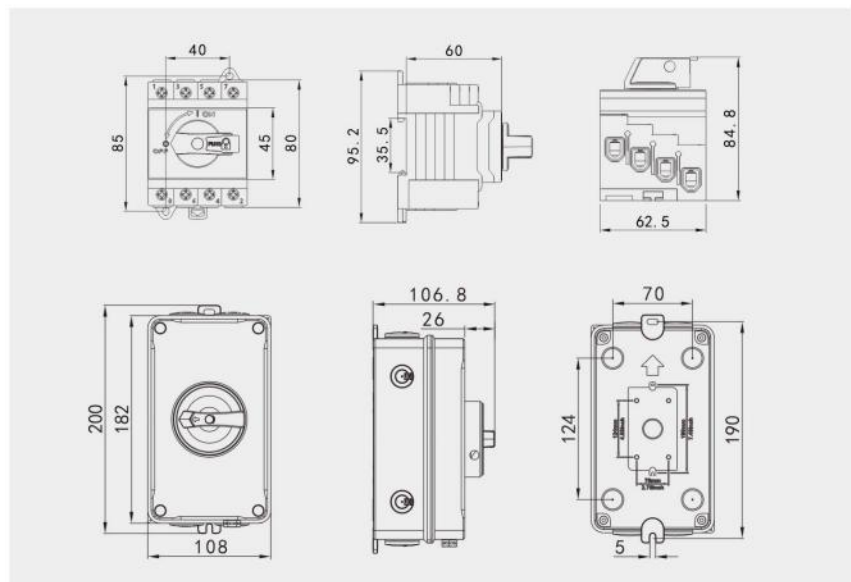
### Dimensions:



DS1-32



DS1-32EL









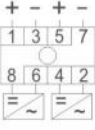
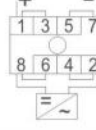
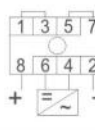
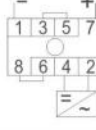
### Features:

- IEC/EN 60947-3 and AS 60947.3
- Utilization category: DC-PV1, DC-PV2
- Nonpolarity
- Ingress Protection: DS1-32 (IP20) , DS1-32EL (IP66)
- OFF Lockable
- UV resistant and Flammability UL94 V-0
- Arcing time <2ms

### Parameter:

Electrical characteristic	
Model number	DS1-32/DS1-32EL
Feature	Isolation and control
Standard	IEC60947-3, AS60947.3
Utilization category	DC-PV1 / DC-PV2
Pole	4P
Rated frequency	DC
Rated operating voltage (Ue)	300V/600V/800V/1000V/1200V
Rated insulation voltage (Ui)	1200V
Rated short-time withstand current (Icw)	1kA/1s(4, 4S,4B) , 1.7kA/1s(2H)
Rated conditional short-circuit current (Icn)	3kA
Rated impulse withstand voltage (Uimp)	8.0kV
Overtoltage category	II
Polarity	No polarity, "+" and "-" polarities could be interchanged
Service Life/Cycle Operations	
Mechanical	15000
Electrical	300
Installation environment	
Ingress protection	IP20
Storage temperature	-40°C~+85°C
Mounting type	Vertically or horizontally
Pollution degree	3

### Wiring interchange - Corresponding figure:

Type	4-Pole	2-Pole 4 Paralleled Poles	4-Pole With Input And Output Bottom	4-Pole With Input On Top Output Bottom
-	4	2H	4B	4S
Contacts wiring graph				
Switching examples				

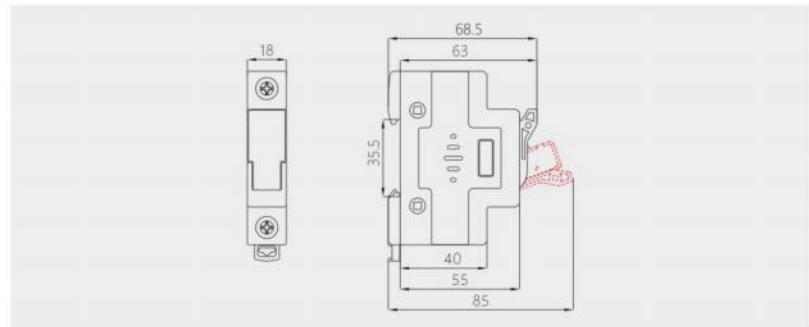
**DF1**  
DC Fuse Holder



**Parameter:**

Type	Adapts to fuse size	Rated voltage	Rated current	Watts loss
DF1-32	10x38mm	1000V DC	32A (Max)	6W
DF1-32L(With light)				

**Dimensions:**



**Features:**

Standard: IEC60947-3、GB/T14048.3  
 Utilization category: DC-PV0  
 Rated voltage: 1000V .DC  
 Maximum working current: 32A max  
 Watts loss: 6W  
 Housing characteristics: Flammability UL94V-0 and Glow wiammability index 960°C

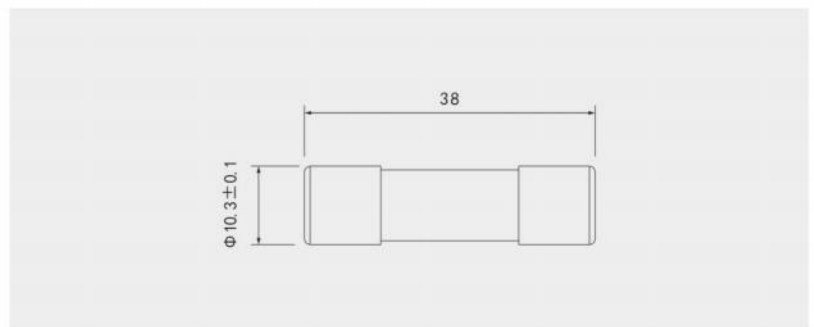
**PVF-1038**  
DC Fuse



**Parameter:**

Fuse type	Fuse size	Rated voltage	Rated current	Breaking capacity
PVF-1038	10x38mm	1000V DC	1、 2、 3、 4、 5、 6 8、 10、 12、 15、 16 20、 25、 30、 32A	33kA

**Dimensions:**



**Features:**

Standard: IEC60269-6, UL248-19, GB / T13539.6  
 Rated voltage: 1000V DC  
 Rated current: 1,2,3,4,5,6,8,10,12,15,16,20,25,30,32A  
 Breaking capacity: 33kA  
 Construction: Cylindrical and with forced arc extinguishing characteristics

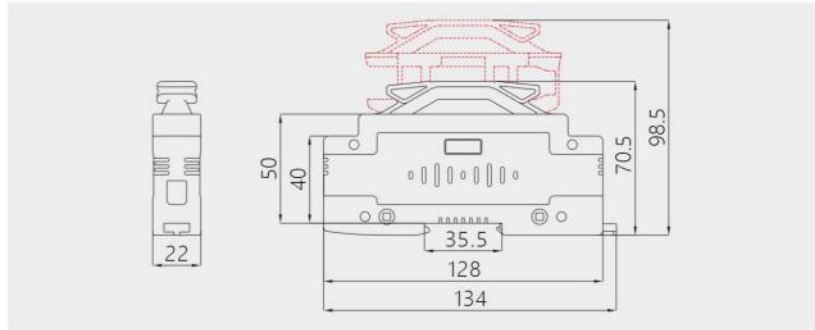
**DF2**  
DC Fuse Holder



**Parameter:**

Type	Adapts to fuse size	Rated voltage	Rated current	Watts loss
DF2-50	10x85mm	1500V	35A (Max)	16W
	14x85mm		50A (Max)	

**Dimensions:**



**Features:**

Standard: IEC60947-3、GB/T14048.3  
 Utilization category: DC-PV0  
 Rated voltage: 1500V.DC  
 Maximum working current: 35A max or 50A max  
 Watts loss: 16W  
 Housing characteristics: Flammability UL94V-0 and Glow wiammability index 960°C

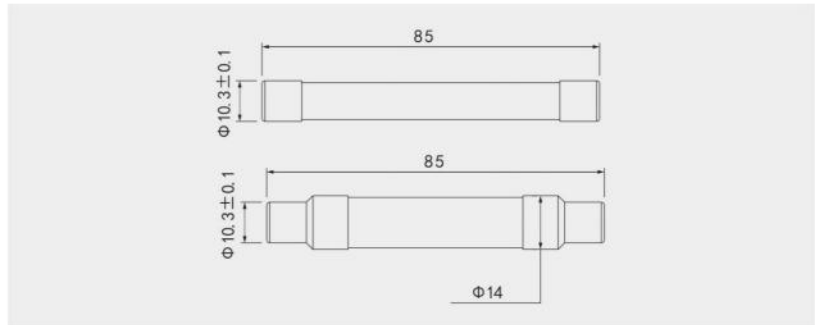
**PVF-1085/PVF-1485**  
DC Fuse



**Parameter :**

Fuse type	Fuse size	Rated voltage	Rated current	Breaking capacity
PVF-1085	10x85mm	1500V DC	1、 2、 3、 4、 5、 6、 8 10、 12、 15、 16、 20 25、 30、 32、 35A	50kA
PVF-1485	14x85mm		15、 16、 20、 25、 30 32、 35、 40、 45、 50A	

**Dimensions:**



**Features:**

Standard: IEC60269-6, UL248-19, GB / T13539.6  
 Rated voltage: 1500V DC  
 Rated current: (PVF-1085) 1,2,3,4,5,6,8,10,12,15,16,20,25,30,32,35A  
 (PVF-1485) 15,16,20,25,32,32,25,40,45,50A  
 Breaking capacity: 50kA  
 Construction: Cylindrical and with forced arc extinguishing characteristics

## DF3

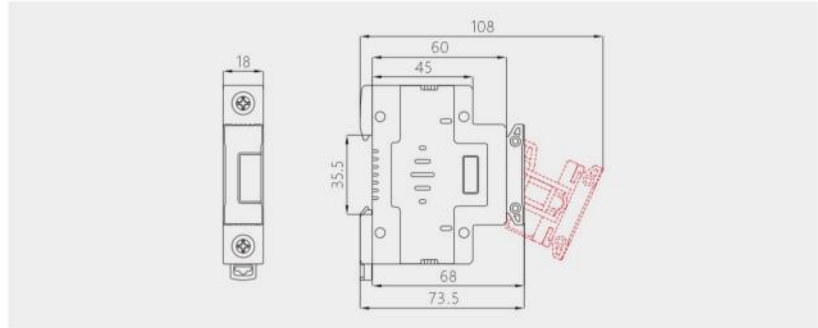
### DC Fuse Holder



#### Parameter:

Type	Adapts to fuse size	Rated voltage	Rated current	Watts loss
DF3-32	10x38mm	1000V DC	32A (Max)	6W
DF3-32L(With light)				

#### Dimensions:



#### Features:

Standard: IEC60947-3、GB/T14048.3

Utilization category: DC-PV0

Rated voltage: 1000V .DC

Maximum working current: 32A max

Watts loss: 6W

Housing characteristics: Flammability UL94V-0 and Glow wiammability index 960°C

## PVF-1038

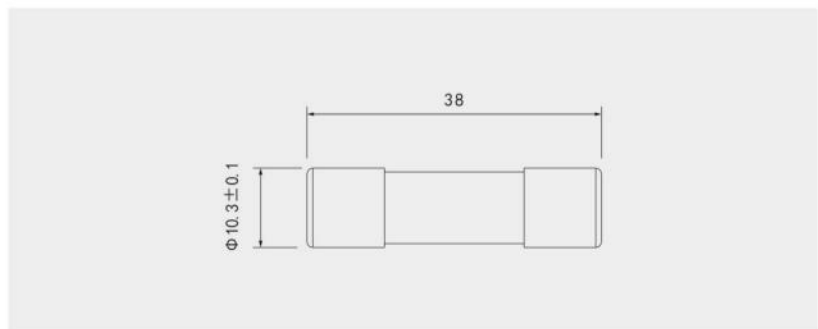
### DC Fuse



#### Parameter:

Fuse type	Fuse size	Rated voltage	Rated current	Breaking capacity
PVF-1038	10x38mm	1000V DC	1、2、3、4、5、6 8、10、12、15、16 20、25、30、32A	33kA

#### Dimensions:



#### Features:

Standard: IEC60269-6, UL248-19, GB / T13539.6

Rated voltage: 1000V DC

Rated current: 1, 2, 3, 4, 5, 6, 8, 10, 12, 15, 16, 20, 25, 30, 32A

Breaking capacity: 33kA

Construction: Cylindrical and with forced arc extinguishing characteristics

## SPD-T2-DC

### Surge Protective Device

#### Product Description:

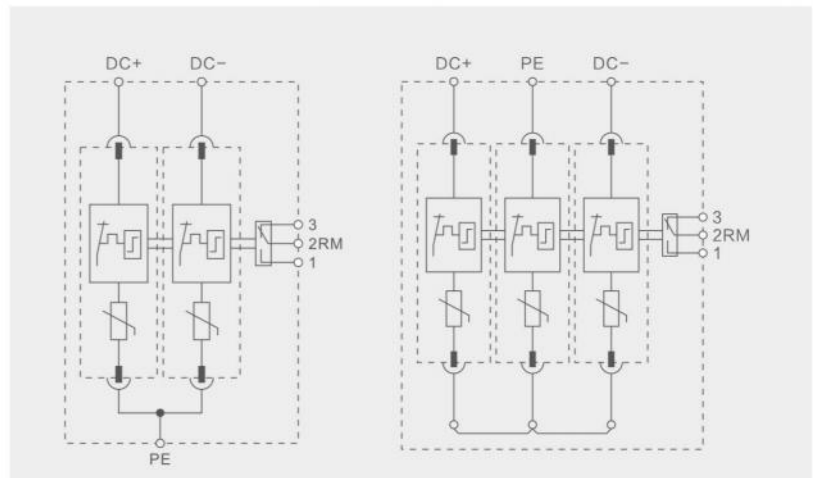
- Installed on LPZ0-1 and above to protect low-voltage equipment from lightning and electricity surge damage;
- Applicable to SPD Class I+II (Class B+C) power supply systems;
- Designed according to IEC 61643-1/GB 18802.1.

- Pluggable module for easy installation and maintenance;
- Large discharge capacity, fast response;
- Double heat disconnect device to provide more reliable protection;
- Multi-functional terminals for wire and bus connection;
- When a fault occurs, the green window turns red and a remote alarm terminal is provided.

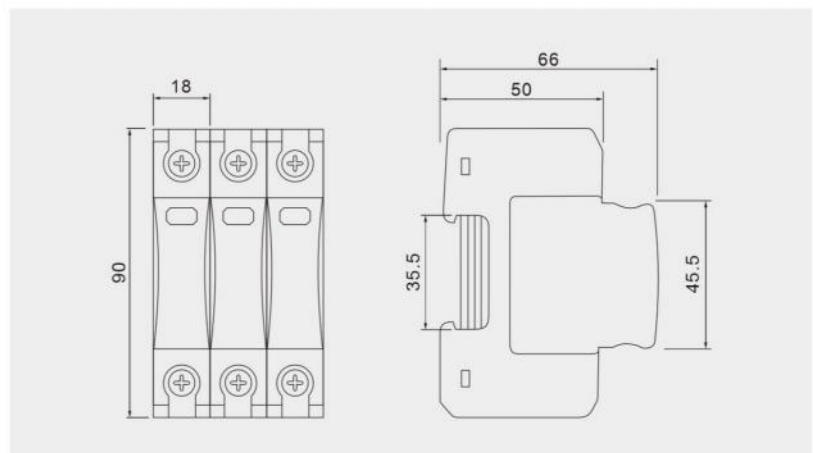


Type	SPD-T2-DC			
Poles	2P	2P	3P	3P
Uc (V)	DC.600	DC.1000	DC.1000	DC.1500
U1mA (V)	750	1500	750	1100
I <sub>max</sub> (8/20us) (kA)	40			
I <sub>n</sub> (kA)	20			
U <sub>p</sub> (kV)	≤2.8	≤4.0		≤5.2
Response time (ns)	≤25			
Maximum backup fuse	125AgL/gG			
Operating temperature (°C)	-40~+70; Relative humidity < 95%			
Cross section of connecting wire (mm <sup>2</sup> )	1.5-25mm <sup>2</sup>			
For mounting on	DIN35			
Housing characteristics	Flammability UL94 V-0 and Glow wiammability index 960°C			
Ingress protection	IP20			
Number of ports	one-port			
Pole width (mm)	18			

#### Principle circuit diagram:



#### Dimensions:





## GYM10 DC Miniature Circuit Breaker

Overload, short circuit, isolation;  
Suitable for communication, photovoltaic, etc DC system  
application scenarios.

### ▶ Product Feature

- ✔ Contact Position Indication Function
- ✔ Maximum Wiring Capacity 25mm<sup>2</sup>
- ✔ Standard: IEC/EN60947-2、GB/T 14048.2

### ▶ Technical Specification

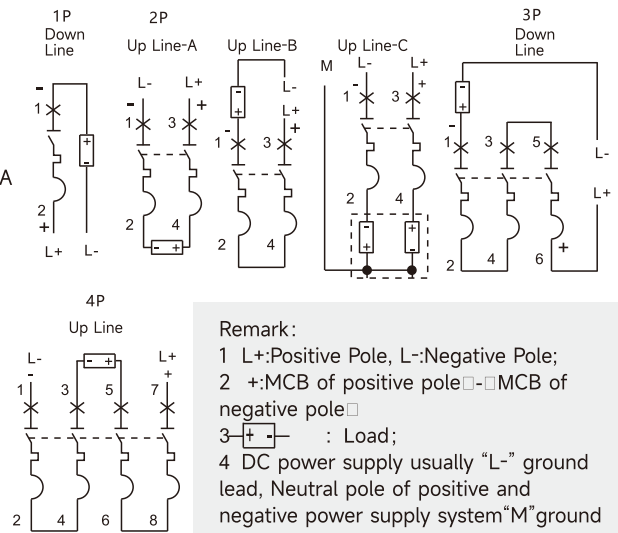
- ✔ Rated Current(I<sub>n</sub>): 6、10、16、20、25、32、40、50、63A
- ✔ Rated Voltage(U<sub>e</sub>): 1P:250VDC;2P:500VDC;3P:750VDC;  
4P:1000VDC
- ✔ Tripping Curves: I<sub>t</sub>=8.5I<sub>n</sub>(type C), I<sub>t</sub>=12I<sub>n</sub> (type D)
- ✔ Breaking Capacity: 4.5kA
- ✔ Poles: 1P、2P、3P、4P
- ✔ mechanical Life: 20000次
- ✔ Rated insulation voltage: 500V
- ✔ Rated impulse withstand 4kV  
voltage (U<sub>imp</sub>):

### ▶ Temperature Compensation

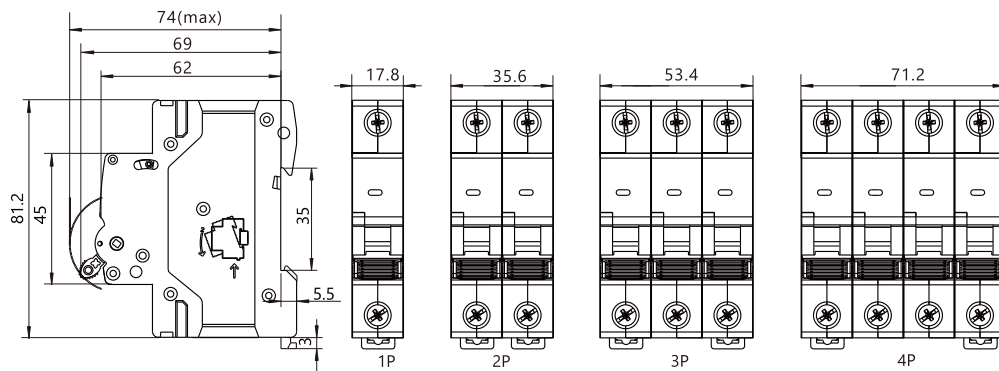
When the ambient temperature is not the baseline temperature of 30°C, the reference Correction coefficient is as follows:

Ambient Temperature	-20°C	-10°C	0°C	10°C	20°C	30°C	40°C	50°C	60°C
Current Correction Factor	1.25	1.2	1.15	1.10	1.05	1.00	0.95	0.90	0.85

### ▶ Wiring diagram



### ▶ Outline Overall And Installing Dimensions





## GYM9H-DC Miniature Circuit Breaker

Overload, short circuit, isolation; Suitable for communication, photovoltaic and other DC system applications.

### ▶ Product Feature

- ▶ Standard: IEC/EN60947-2、GB14048.2
- ▶ With Transparent Identification Function
- ▶ Contact Position Indication Function
- ▶ Maximum Wiring Capacity 25mm<sup>2</sup>

### ▶ Technical Specification

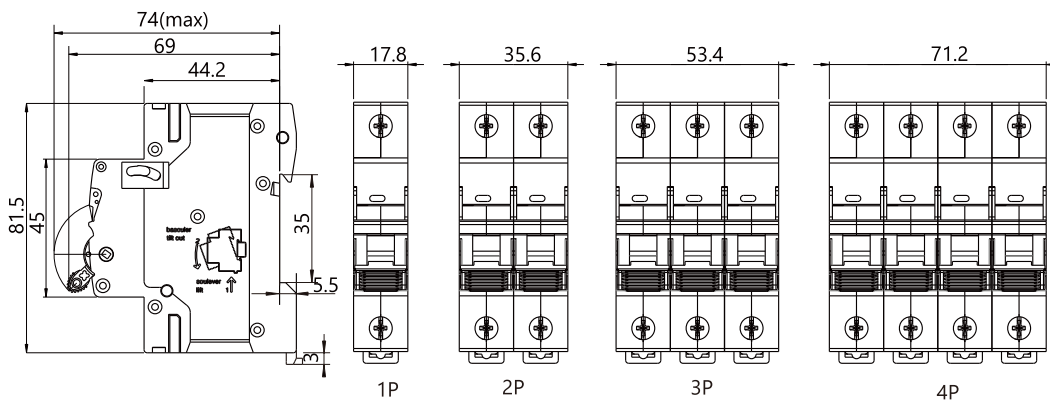
- ▶ Rated Current(I<sub>n</sub>): 1-63A
- ▶ Rated Voltage(U<sub>e</sub>):1P:250VDC;2P:500VDC;3P:750VDC;  
4P:1000VDC
- ▶ Tripping Curves: B、C
- ▶ Breaking Capacity:6kA
- ▶ Poles: 1P、2P、3P、4P
- ▶ Mechanical Life: 20000 time
- ▶ Electrical Life: 1500 time

### ▶ Temperature Compensation

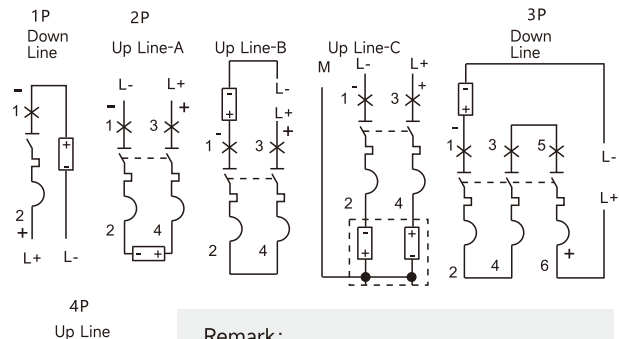
When the ambient temperature is not the baseline temperature of 30°C, the reference Correction coefficient is as follows:

Ambient Temperature	-20°C	-10°C	0°C	10°C	20°C	30°C	40°C	50°C	60°C
Current Correction Factor	1.25	1.2	1.15	1.10	1.05	1.00	0.95	0.90	0.85

### ▶ Outline Overall And Installing Dimensions



### ▶ Wiring diagram



Remark:  
 1 L+:Positive Pole, L-:Negative Pole;  
 2 +:MCB of positive pole □-MCB of negative pole □  
 3 : Load;  
 4 DC power supply usually "L-" ground lead, Neutral pole of positive and negative power supply system "M" ground lead;





## GYM9H-Z AC/DC Miniature Circuit Breaker

Overload, short circuit, isolation; Suitable for DC screen, energy storage equipment and other DC non-polar applications.

### ▶ Product Feature

- ✔ Standard: IEC/EN60947-2, IEC/EN60947-2 Annex P、GB14048.2、GB14048.2 Annex P
- ✔ Double Sink Flow Bar Wiring Function
- ✔ With Transparent Identification Function
- ✔ Contact Position Indication Function
- ✔ Maximum Wiring Capacity 25mm<sup>2</sup>

### ▶ Technical Specification

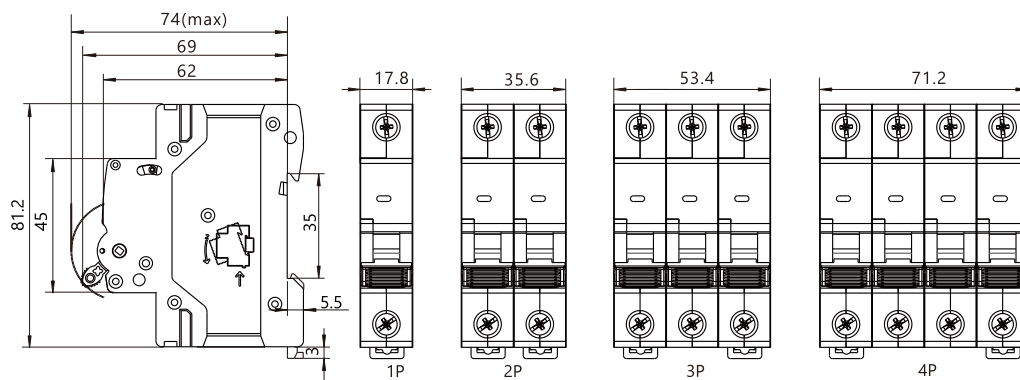
- ✔ Rated Current (In): 1, 2, 3, 4, 6, 10, 16, 20, 25, 32, 40, 50, 63A
- ✔ Rated Voltage (Ue): 1P:48, 60, 125, 150VDC;2P:110, 125, 250, 300VDC;3P:450VDC;4P:600VDC;1P:230/400V~;2P-4P:400V or 1P: 240/415V~;2P-4P:415V
- ✔ Tripping Curves: B, C、
- ✔ Breaking Capacity: 10kA
- ✔ Poles: 1P, 2P, 3P, 4P
- ✔ Mechanical Life: 20000 time
- ✔ Electrical Life: 2500 time

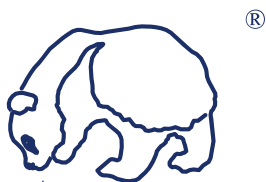
### ▶ Temperature Compensation

When the ambient temperature is not the baseline temperature of 30°C, the reference Correction coefficient is as follows:

Ambient Temperature	-20°C	-10°C	0°C	10°C	20°C	30°C	40°C	50°C	60°C
Current Correction Factor	1.25	1.2	1.15	1.10	1.05	1.00	0.95	0.90	0.85

### ▶ Outline Overall And Installing Dimensions





**MEGALEC**