



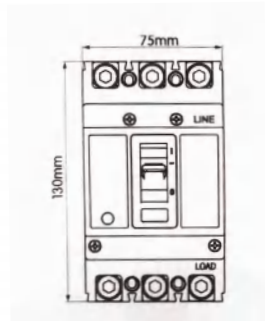
Moulded-case CIRCUIT Breaker Features & Components

Product feares

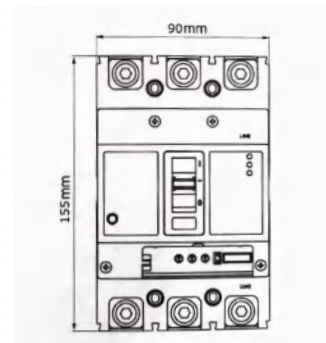
Feature 3: miniaturized frame

5 frame sizes: 125 type,160 type,250 type,630 type, 800 type

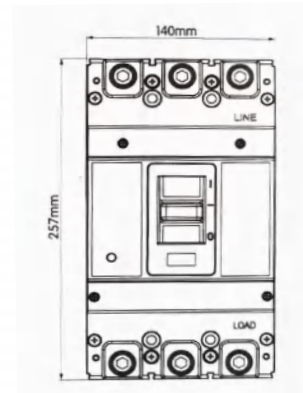
Rated current of ADM6 series 10A~800A



125 frame reduces to the same size as the original 63 frame (the width is only 75mm)

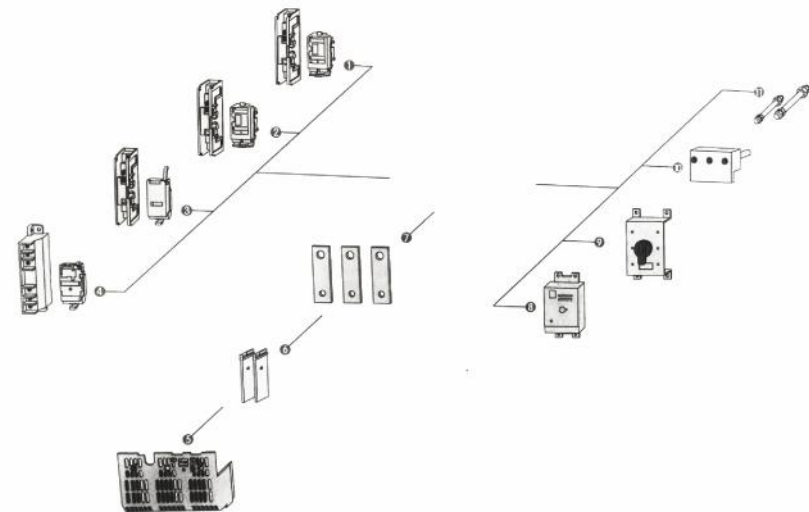


160 frame reduces to the same size as the original 100 frame (the width is only 90mm)



630 frame reduces to the same size of the original 400 frame (the width is only 140mm)

Components of circiit breaker



- 1 Auxiliary switch
- 2 Alarm switch
- 3 Shunt release
- 4 Undervoltage release



- 5 Terminal ca
- 6 Phase partition
- 7 Front-board wiring
- 8 Electric operation

- 9 Manual operation
- 10 Plug-in type back-board wiring
- 11 Back-board wiring



Moulded-case CIRCUIT Breaker ABTM6THA Series




Main performance indexes

Frame current (A)		125		160		
Model		ABTM6THA-125S	ABTM6THA-125H	ABTM6THA-160S	ABTM6THA-160M	ABTM6THA-160H
Pole number		1, 2, 3, 4		2, 3, 4		
						
Rated current (A)		10, 16, 20, 32, 40, 50, 63, 80, 100, 125		10, 16, 20, 32, 40, 50, 63, 80, 100, 125, 140, 160		
Rated voltage (V)		AC400V		AC400V		
Rated insulation voltage (V)		AC1000V		AC1000V		
Short-circuit breaking capacity (KA)Icu/Ics	AC400V	25/15	35/25	35/25	50/35	70/50
Operating cycle number	ON	6000		3000		
	OFF	9000		7000		
Outline dim. (mm)a-b-c-ca	P1	25-130-68-90		60-155-68-90	60-155-68-90	60-155-82-115
	P2	50-130-68-90				
	P3	75-130-68-90		90-155-68-90	90-155-68-90	90-155-82-115
	P4	100-130-68-90		120-155-68-90	120-155-68-90	120-155-82-115
Wight(kg)	P1	0.3	0.35	1.0		1.1
	P2	0.5	0.55			
	P3	0.55	0.65	1.1		1.2
	P4	0.65	0.8	1.4		1.5
Electric operating device(MD)		•		•		
External driving operating handle		•		•		
Automatic release		Thermal electromagnetic type		Thermal electromagnetic type		



Moulded-case CIRCUIT Breaker ABTM6THA Series


Main performance indexes

Frame current(A)		250			400			630		
Model		ABTM6THA-250S	ABTM6THA-250M	ABTM6THA-250H	ABTM6THA-400S	ABTM6THA-400M	ABTM6THA-400H	ABTM6THA-630S	ABTM6THA-630M	ABTM6THA-630H
Pole number		3, 4			3, 4			3, 4		
										
Rated current (A)		100,125, 140, 160, 180, 200, 225, 250			250, 315, 350, 400, 500, 630			250, 315, 350, 400, 500, 630		
Rated voltage(V)		AC400V			AC400V			AC400V		
Rated insulation voltage (V)		AC1000V			AC1000V			AC1000V		
Short-circuit breaking capacity (KA) Icu/Ics	AC400V	35/25	65/42	85/50	35/25	50/35	70/50	50/35	64/42	85/50
Operating cycle number	ON	3000			1000			1000		
	OFF	7000			4000			4000		
Outline dim. (mm) a-b-c-ca	3P	105-165-68-92		105-165-88-115	140-257-103-155			184-257-103-155		
	4P	140-165-68-92		140-165-88-115	184-257-103-155			184-257-103-155		
Wight (kg)	3P	1.5		1.7	1.1	1.2		5.7		
	4P	1.9		2.1	1.4		1.5		7.5	
Electric operating device(MD)		•			•			•		
External driving operating handle		•			•			•		
Automatic release		Thermal electromagnetic type			Thermal electromagnetic type			Thermal electromagnetic type		



Moulded-case CIRCUIT Breaker ABTM6THA Series



Main performance indexes

Frame current (A)		800~1250		
Model		ABTM6THA-800S ABTM6THA-1250S	ABTM6THA-800M ABTM6THA-1250M	ABTM6THA-800H ABTM6THA-1250H
Pole number		3,4		
				
Rated current(A)		500, 630, 700, 800, 1000, 1250		
Rated voltage(V)		AC400V		
Rated insulation voltage (V)		AC1000V		
Short-circuit breaking capacity (KA)Icu/Ics	AC400V	50/35	65/42	85/50
Operating cycle number	ON	1500		
	OFF	4000		
Outline dim.(mm) a-b-c-ca	3P	210-275-103-155		
	4P	280-275-103-155		
Wight (kg)	3P	9.5		
	4P	12.5		
Electric operating device (MD)		•		
External driving operating handle		•		
Automatic release		Thermal electromagnetic type		



Moulded-case CIRCUIT Breaker ABTM6N Series





Main performance indexes

Frame current		125		160		
Model		ABTM6N-125S	ABTM6N-125H	ABTM6N-160S	ABTM6N-160M	ABTM6N-160H
Pole number		1, 2, 3, 4		2, 3, 4	3, 4	
						
Power supply system	3P	3φ3W, 1φ2W, 1φ3W		3φ3W,1φ2W,1φ3W		
	4P	3φ4W		3φ4W		
Rated current		10, 16, 20, 32, 40, 50, 63, 80, 100, 125		10, 16, 20, 32, 40, 50, 63, 80, 100, 125, 140, 160		
Rated voltage		AC400V		AC400V		
Rated insulation voltage		AC690V		AC690V		
Leakage indication system		Button		Button		
Short-circuit breaking capacity (KA)Icu/Ics	AC400V	25/18		35/25		
Quick type	ON	6000		3000	3000	
	OFF	9000		7000	7000	
Quick type	Rated residual operating current	30, 100, 500 (adjustable)		30, 100, 500 (adjustable)		
	Max. actuation time	0.1		0.1		
Delay type	Rated residual operating current	100, 300, 500 (adjustable)		100, 300, 500 (adjustable)		
	Max. actuation time	—		—		
	Max. actuation time under 21□n (s)	0.45, 1.0, 2.0(adjustable)		0.45, 1.0, 2.0(adjustable)		
	Inertia non-actuation time under 21□n (s)	0.1, 0.5, 1.0		0.1,0.5, 1.0		
Outline dim. (mm)a-b-ca	2P	50-130-68-90		60-155-68-90		
	3P	75-130-68-90		90-155-68-90		90-155-82-115
	4P	100-130-68-90		120-155-68-90		120-155-82-115
Weight (kg)	2P	0.55		0.75	0.75	0.75
	3P	0.65		0.85	1.2	1.2
	4P	0.8		1.2	1.5	1.5
Electric operating device(MD)		●		●		
External driving operating handle		●		●		
Automatic release		Thermal electromagnetic type		Thermal electromagnetic type		



Moulded-case CIRCUIT Breaker ABTM6N Series


Main performance indexes

Frame current		250			400		800		1250	
Model		ABTM6N-250S	ABTM6N-250M	ABTM6N-250H	ABTM6N-400S	ABTM6N-400H	ABTM6N-800H			
Pole number		3, 4			3, 4		3, 4		3, 4	
										
Power supply system	3P	3φ3W,1φ2W, 1φ3W			3φ3W, 1φ2W,1φ3W		3φ3W,1φ2W,1φ3W		3φ3W,1φ2W,1φ3W	
	4P	3φ4W			3φ4W		3φ4W		3φ4W	
Rated current		100, 125, 140, 160, 180, 200,225, 250			250, 315, 350, 400		500,630,700,800		800, 1000, 1250	
Rated voltage		AC400V			AC400V		AC400V		AC400V	
Rated insulation voltage		AC690V			AC690V		AC690V		AC690V	
Leakage indication system		Button			Button		Button		Button	
Short-circuit breaking capacity (KA)Icu/Ics	AC400V	35/25			50/35		50/35		50/50	
Operating cycle number	ON	3000			1000		1000		1000	
	OFF	7000			4000		4000		4000	
Quick type	Rated residual operating current	30,100,500 (adjustable)			30,100,500 (adjustable)		30,100,500 (adjustable)		30,100,500 (adjustable)	
	Max. actuation time	0.1			0.1		0.1		0.1	
Delay type	Rated residual operating current	100, 300, 500 (adjustable)			100, 300, 500 (adjustable)		100, 300, 500 (adjustable)		100, 300, 500 (adjustable)	
	Max. actuation time	—			—		—		—	
	Max. actuation time under 210□(s)	0.45, 1.0, 2.0 (adjustable)			0.45, 1.0, 2.0 (adjustable)		0.45, 1.0, 2.0 (adjustable)		0.45, 1.0, 2.0 (adjustable)	
	Inertia non-actuation time under 210n(s)	0.1, 0.5, 1.0			0.1, 0.5, 1.0		0.1, 0.5, 1.0		0.1, 0.5, 1.0	
Outline dim. (mm) a-b-c-ca	3P	105- 165-68-92		105- 165-88-115	140-257-103-155		210-257-103-155		210-257-103-155	
	4P	140- 165-68-92		140-165-88-115	185-257-103-155		280-257-103-155		280-257-103-155	
Weight (kg)	3P	2.0		2.1	6.6		12.5		12.5	
	4P	2.5		2.6	8.4		17.5		17.5	
Electric operating device (MD)		●			●		●		●	
External driving operating handle		●			●		●		●	
Automatic release		Thermal electromagnetic type			Thermal electromagnetic type		Thermal electromagnetic type		Thermal electromagnetic type	



Moulded-case CIRCUIT Breaker ABTM6EA Series


Main performance indexes

Frame current(A)							
Model	ABTM6EA-160	ABTM6EA-250	ABTM6EA-400	ABTM6EA-630	ABTM6EA-800	ABTM6EA-1250	
Pole number	3,4						
							
Rated current (A)	12-32,40-100 63-160	100-250	200-400	300-630	400-800	850-1250	
Rated voltage (V)	AC400V						
Rated insulation voltage (V)	AC1000V						
Short-circuit breaking capacity (KA) Icu/Ics	AC400V	50/35		50/50			
Operating cycle number	ON	3000		1000	1000	1000	
	OFF	7000		4000	4000	4000	
Outline dim. (mm) a-b-c-ca	3P	90-155-88-115	105-165-88-115	140-257-103-115	140-257-103-155	210-275-103-155	210-275-103-155
	4P	120-155-88-115	140-165-88-115	184-257-103-155	184-257-103-155	280-275-103-155	280-275-103-155
Wight (kg)	3P	1.2	1.7	5.5	5.7	8	9.5
	4P	1.5	2.1	7.0	7.5	11	12.5
Electric operating device (MD)	•						
External driving operating handle	•						
Automatic release	Electronic type						



Moulded-case Circuit Breaker of Thermomagnetic Adjustable Type ABTM6EL Series


Main performance indexes

Frame current(A)		ABTM6EL-160	ABTM6EL-250	ABTM6EL-400	ABTM6EL-800	
Model						
Pole number		2,3,4	3,4	3,4	3,4	
						
Rated current(A)		10,16,20,32,40,50,63 80,100,125,140,160	100,125,140,160 180,200,225,250	250,315,350,400	500,630,700,800	
Rated voltage(V)		AC400V				
Rated residual operating current		100.300.500 Iadjustable)				
Max. actuation time under 21A n (s)		0.45.1.0.2.0 Iadjustable)				
Leakage indication sgstem		Button	Button	Button	Button	
Short-circuit breaking capacity (KA)Icu/Ics	AC400V	35/25	35/25	50/35	50/35	
Operating cycle number	ON	3000	3000	1000	1000	
	OFF	7000	7000	4000	4000	
Outline dim.(mm)a-b-c-ca	(3P)	90-155-68-90	90-155-68-90	105-165-88-115	140-257-103-155	210-257-103-155
	(4P)	120-155-68-90	140-165-68-92	140-165-88-115	185-257-103-155	280-257-103-155
Wight (kg)	(3P)	1.2	2.0	2.1	6.6	12.5
	(4P)	1.5	2.5	2.6	8.6	17.5
Electric operating device(MD)		•	•	•	•	
External driving operating handle		•	•	•	•	
Automatic release		Thermal electromagnetic tupe	Thermal electromagnetic tupe	Thermal electromagnetic tupe	Thermal electromagnetic tupe	



Moulded-case Circuit Breaker of Thermomagnetic Adjustable Type ABTM6IL Series


Main performance indexes

Frame current(A)		ABTM6IL-250	ABTM6IL-400	ABTM6IL-800
Model				
Pole number		3,4	3,4	3,4
				
Rated current(A)		100-250	200-400	400-800
Rated voltage(V)		AC400V		
Rated residual operating current		50-1000mA (adjustable)		
Max. actuation time under 21A n (s)		0.1-2s (adjustable)		
Leakage indication system		Button	Button	Button
Short-circuit breaking capacity (KA)Icu/Ics	AC400V	35/25	50/35	50/35
Operating cycle number	ON	3000	1000	1000
	OFF	7000	4000	4000
Outline dim.(mm)a-b-c-ca	(3P)	105-165-88-115	140-257-103-155	210-257-103-155
	(4P)	140-165-88-115	185-257-103-155	280-257-103-155
Wight (kg)	(3P)	2.5	2.6	7.5
	(4P)	3	3.1	8.5
Electric operating device(MD)		•	•	•
External driving operating handle		•	•	•
Automatic release		Thermal electromagnetic tupe	Thermal electromagnetic tupe	Thermal electromagnetic tupe

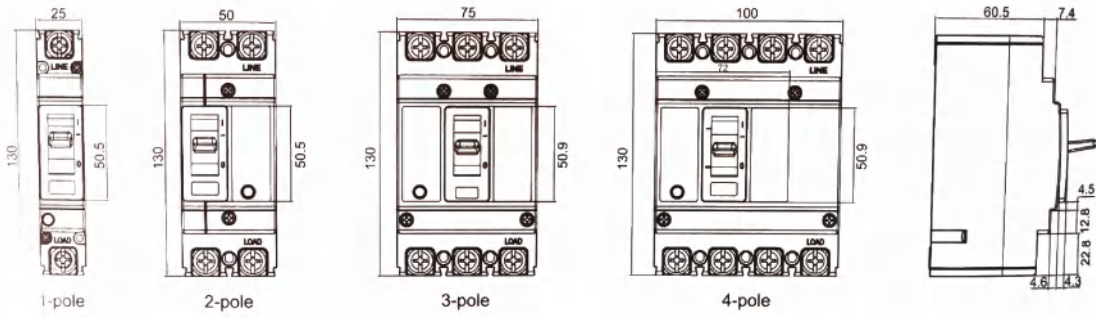


Moulded-case Circuit Breaker of Intelligent Electronic Adjustable Type ABTM6I Series

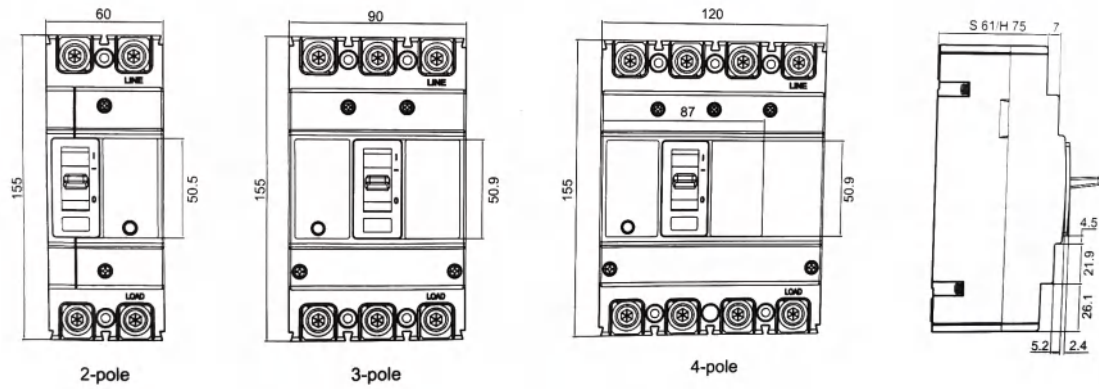
Main performance indexes

Frame current(A)		160	250	400	630	1250
Model		ABTM6I-160	ABTM6I-250	ABTM6I-400	ABTM6I-630	ABTM6I-1250
Pole number		3, 4	3, 4	3, 4	3, 4	3, 4
						
Rated current(A)		100-250	200-400	300-630	400-800	850-1250
Rated voltage(V)		AC400V	AC400V	AC400V	AC400V	AC400V
Rated insulation voltage (V)		AC1000V	AC1000V	AC1000V	AC1000V	AC1000V
Snort-circuit breaking capacity (KA)Icu/Ics	AC400V	50/35	50/50	50/50	50/50	50/50
Operating cycle number	ON	3000	1000	1000	1000	1000
	OFF	7000	7000	4000	4000	4000
Outline dim.(mm) a-b-c-ca	3P	105-165-88-115	140-257-103-155	140-257-103-155	210-275-103-155	210-275-103-155
	4P	140-165-88-115	184-257-103-155	184-257-103-155	280-275-103-155	280-275-103-155
Wight (kg)	3P	1.7	5.5	5.7	8	9.5
	4P	2.1	7.1	7.5	11	12.5
Electric operating device(MD)		•	•	•	•	•
External driving operating handle		•	•	•	•	•
Automatic release		Electronic type	Electronic type	Electronic type	Electronic type	Electronic type

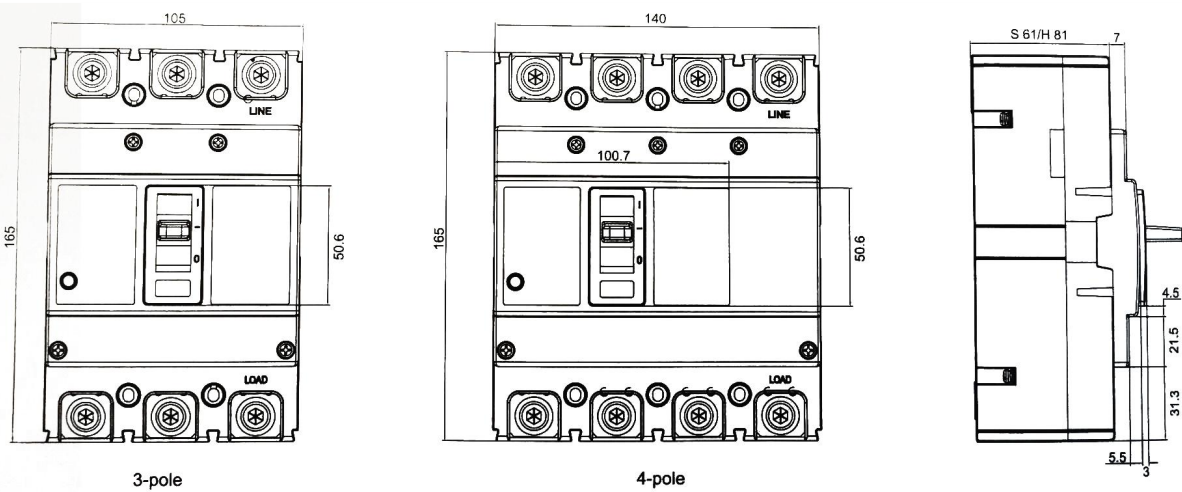
125#



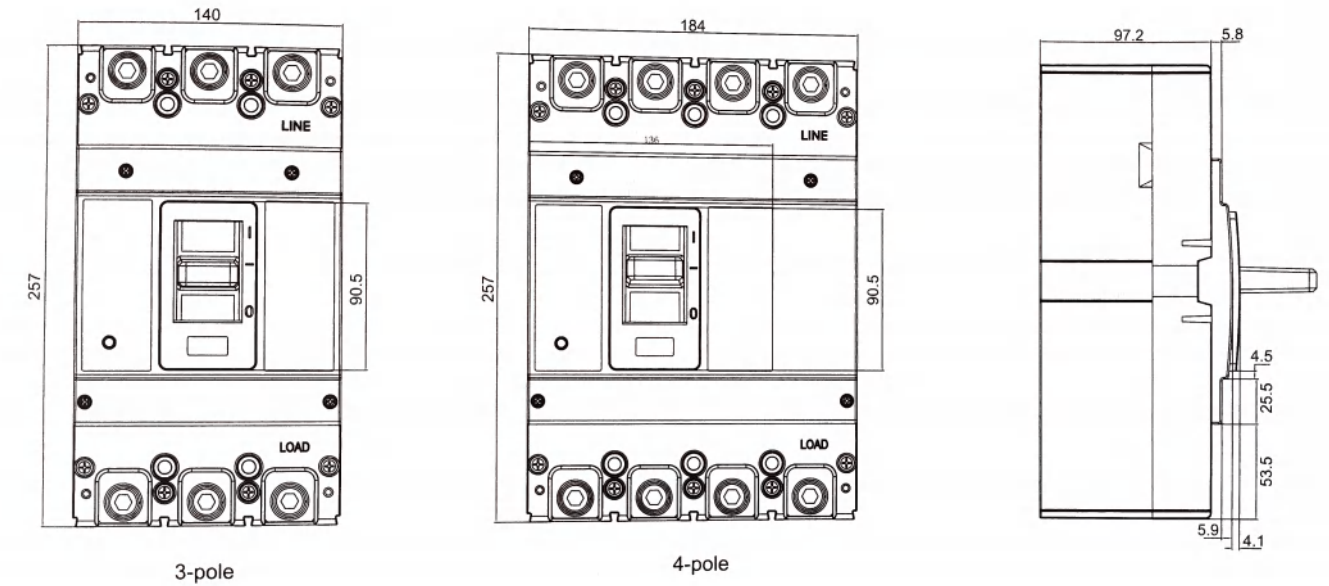
160#



250#



400-630#



800-1250#

